

SYBASE®

Configuration Guide

**Adaptive Server® Enterprise**

15.5

[ UNIX ]

DOCUMENT ID: DC35823-01-1550-01

LAST REVISED: November 2009

Copyright © 2009 by Sybase, Inc. All rights reserved.

This publication pertains to Sybase software and to any subsequent release until otherwise indicated in new editions or technical notes. Information in this document is subject to change without notice. The software described herein is furnished under a license agreement, and it may be used or copied only in accordance with the terms of that agreement.

To order additional documents, U.S. and Canadian customers should call Customer Fulfillment at (800) 685-8225, fax (617) 229-9845.

Customers in other countries with a U.S. license agreement may contact Customer Fulfillment via the above fax number. All other international customers should contact their Sybase subsidiary or local distributor. Upgrades are provided only at regularly scheduled software release dates. No part of this publication may be reproduced, transmitted, or translated in any form or by any means, electronic, mechanical, manual, optical, or otherwise, without the prior written permission of Sybase, Inc.

Sybase trademarks can be viewed at the [Sybase trademarks page](http://www.sybase.com/detail?id=1011207) at <http://www.sybase.com/detail?id=1011207>. Sybase and the marks listed are trademarks of Sybase, Inc. ® indicates registration in the United States of America.

Java and all Java-based marks are trademarks or registered trademarks of Sun Microsystems, Inc. in the U.S. and other countries.

Unicode and the Unicode Logo are registered trademarks of Unicode, Inc.

IBM and Tivoli are registered trademarks of International Business Machines Corporation in the United States, other countries, or both.

All other company and product names mentioned may be trademarks of the respective companies with which they are associated.

Use, duplication, or disclosure by the government is subject to the restrictions set forth in subparagraph (c)(1)(ii) of DFARS 52.227-7013 for the DOD and as set forth in FAR 52.227-19(a)-(d) for civilian agencies.

Sybase, Inc., One Sybase Drive, Dublin, CA 94568.

# Contents

<b>About This Book .....</b>	<b>vii</b>	
<b>CHAPTER 1</b>	<b>Introduction .....</b>	<b>1</b>
	About Adaptive Server .....	1
	System-specific issues .....	2
	System user roles .....	3
	Environment variables.....	3
	Adaptive Server devices and system databases.....	5
	The master device .....	5
	The sybssystemdb device .....	6
	The sysprocsdev device .....	6
	Optional devices and databases .....	6
	Using UNIX operating system files as database devices .....	8
	Determining the location, type, and size of a database device .....	10
	Client/server communication .....	12
	Changing Adaptive Server configuration.....	13
	Languages other than U.S. English .....	14
	Adaptive Server specifications .....	14
<b>CHAPTER 2</b>	<b>Starting and Stopping Servers .....</b>	<b>19</b>
	Overview .....	19
	Requirements for starting servers .....	19
	Starting servers .....	20
	Server start-up parameters .....	20
	Using a RUN_server_name file .....	21
	Using the startserver command .....	21
	Using the monserver and backupserver commands .....	22
	Starting servers when the operating system restarts .....	22
	For HP-UX .....	23
	For IBM RS/6000.....	23
	For Sun Solaris and Linux .....	24
	Starting XP Server after initial installation .....	26
	Stopping servers .....	26

	Stopping Adaptive Server.....	26
	Stopping Backup Server.....	27
	Stopping Monitor Server.....	28
	Using the kill command .....	28
	Shutdown and shared memory files .....	29
	Huge pages on Linux p-series.....	30
<b>CHAPTER 3</b>	<b>Configuring the Operating System .....</b>	<b>33</b>
	Verifying environment variables .....	33
	Configuring new servers with srvbuild or srvbuildres .....	34
	Using the stty setting.....	38
	Restoring correct permissions.....	38
	File descriptors and user connections.....	39
	For HP-UX.....	39
	For AIX .....	39
	For Linux .....	39
	For Sun Solaris.....	40
	Displaying current soft and hard limits .....	40
	Increasing the soft limit.....	40
	Increasing the hard limit .....	41
	Sample program.....	42
	Enabling asynchronous disk I/O.....	43
	Adjusting the client connection timeout period.....	45
	For HP-UX.....	46
	For IBM RS/6000.....	46
	For Sun Solaris.....	46
	For Linux .....	47
	Checking for hardware errors.....	47
	For HP-UX.....	47
	For IBM RS/6000.....	47
	For Sun Solaris.....	48
	For Linux .....	48
	Monitoring the use of operating system resources .....	48
	For HP-UX.....	48
	For IBM RS/6000.....	49
	For Sun Solaris and Linux .....	49
	A sample C shell maintenance script.....	50
<b>CHAPTER 4</b>	<b>Adaptive Server Default Configuration.....</b>	<b>53</b>
	Default settings .....	53
<b>CHAPTER 5</b>	<b>Setting Up Communications Across the Network.....</b>	<b>55</b>

How Adaptive Server determines which directory service entry to use	56
How a client uses directory services .....	57
Creating a directory services entry.....	57
Supported directory drivers .....	58
Contents of an interfaces file.....	58
Heterogeneous and homogeneous environments .....	59
Understanding the format of the interfaces file .....	61
Components of an interfaces file entry .....	62
Creating a master interfaces file .....	64
Using dsedit or dscp to create a master interfaces file.....	64
Using a text editor to create a master interfaces file .....	65
Configuring interfaces files for multiple networks.....	65
Configuring the server for multiple network handlers .....	66
Configuring the client connections .....	66
Configuring for query port backup .....	68
IPv6 support .....	69
IPv6 infrastructure .....	70
Troubleshooting .....	72
Server fails to start .....	72
Error when executing an ESP .....	73

**CHAPTER 6**

**Using the Lightweight Directory Access Protocol as a Directory**

<b>Service.....</b>	<b>75</b>
Overview .....	75
LDAP directory services versus the Sybase interfaces file .....	76
The libtcl*.cfg file .....	79
Enabling LDAP directory services .....	80
Adding a server to the directory services .....	82
Multiple directory services .....	83
Encrypting the password.....	84
Performance.....	84
Migrating from the interfaces file to LDAP.....	85

**CHAPTER 7**

**Customizing Localization for Adaptive Server.....**

<b>Overview of localization support .....</b>	<b>87</b>
Language modules.....	88
Default character sets for servers .....	89
Supported character sets .....	90
Character set conversion .....	95
Conversions between server and client .....	95
Sort orders .....	96
Available sort orders.....	96

	Language modules.....	99
	Installing a new language module.....	99
	Message languages.....	99
	Localization.....	100
	Localization directories.....	100
	About the directory.....	101
	About the charsets directory.....	101
	About the locales.dat file.....	101
	Changing the localization configuration.....	103
	Adaptive Server localization.....	104
	Backup Server localization.....	105
	Sort orders.....	106
	Character sets.....	107
	charset utility.....	109
<b>CHAPTER 8</b>	<b>Logging Error Messages and Events.....</b>	<b>111</b>
	Adaptive Server error logging.....	111
	Enabling and disabling error logging.....	112
	Setting error log paths.....	112
	Setting the Adaptive Server error log path.....	112
	Managing messages.....	113
	Logging user-defined messages.....	113
	Logging auditing events.....	114
<b>CHAPTER 9</b>	<b>Managing Adaptive Server Databases.....</b>	<b>115</b>
	Managing database devices.....	115
	Device requirements.....	115
	Creating files for database devices.....	116
<b>CHAPTER 10</b>	<b>Adding Optional Functionality to Adaptive Server.....</b>	<b>119</b>
	Adding auditing.....	119
	Audit system devices and databases.....	119
	Overview of audit installation.....	120
	Preinstallation tasks for auditing devices.....	121
	Installing auditing.....	121
	Installing online help for Transact-SQL syntax.....	127
	Online syntax help: sp_syntax.....	127
	Default device for the sybsyntax database.....	128
	Installing sybsyntax.....	128
<b>Index.....</b>		<b>131</b>

# About This Book

This manual, the *Configuration Guide*, provides instructions for performing specific configuration tasks for Sybase® Adaptive Server® Enterprise on UNIX platforms.

The operating system release levels for the UNIX platforms on which Adaptive Server is certified to execute is in the installation documentation or release bulletin for your platform.

This manual covers the following topics:

- Instructions for reconfiguring certain attributes of your existing Sybase Adaptive Server Enterprise, Backup Server™, Adaptive Server Enterprise Monitor™, and XP Server™ to meet your specific needs.
- Creating network connections.
- Configuring optional functionality.
- Performing operating system administration tasks.
- Working with system administration issues that are relevant to Adaptive Server running on UNIX platforms. This manual supplements the *System Administration Guide* and the *Performance and Tuning Guide*.

---

**Note** Before configuring Adaptive Server according to the instructions in this book, you should have a newly installed or upgraded Adaptive Server on your system. If you do not, follow the installation and upgrade instructions in the installation documentation for your platform.

---

## Audience

This manual is for System Administrators or other qualified installers who are familiar with their system's environment, networks, disk resources, and media devices.

## How to use this book

This manual contains the following chapters:

- Chapter 1, "Introduction" is an overview of Adaptive Server and the configuration changes you might want to make to Adaptive Server after installing or upgrading the server.

- 
- Chapter 2, “Starting and Stopping Servers” describes how to start and stop Adaptive Server, Backup Server, Monitor Server, and XP Server.
  - Chapter 3, “Configuring the Operating System” describes how to set up your operating system to work with Adaptive Server.
  - Chapter 4, “Adaptive Server Default Configuration” provides information about the default parameter settings of Adaptive Server.
  - Chapter 5, “Setting Up Communications Across the Network” describes how to use the interfaces file to establish network connections for servers and clients.
  - Chapter 6, “Using the Lightweight Directory Access Protocol as a Directory Service” provides information about using LDAP directory services to establish connections.
  - Chapter 7, “Customizing Localization for Adaptive Server” provides background information about Sybase’s localization support as well as task information for reconfiguring character sets, sort orders, and language modules.
  - Chapter 8, “Logging Error Messages and Events” describes how to use the error logging features of Adaptive Server.
  - Chapter 9, “Managing Adaptive Server Databases” provides information about the administration of Adaptive Server databases, including both routine tasks and performance and tuning considerations.
  - Chapter 10, “Adding Optional Functionality to Adaptive Server” provides instructions for adding optional functionality, such as auditing and the sample databases.

#### **Related documents**

The Adaptive Server Enterprise documentation set consists of:

- The release bulletin for your platform – contains last-minute information that was too late to be included in the books.  

A more recent version of the release bulletin may be available. To check for critical product or document information that was added after the release of the product CD, use the Sybase Product Manuals Web site.
- The installation guide for your platform – describes installation, upgrading, and some configuration procedures for all Adaptive Server and related Sybase products.
- *New Feature Summary* – describes the new features in Adaptive Server, the system changes added to support those features, and changes that may affect your existing applications.



- *Active Messaging Users Guide* – describes how to use the Active Messaging feature to capture transactions (data changes) in an Adaptive Server Enterprise database, and deliver them as events to external applications in real time.
- *Component Integration Services Users Guide* – explains how to use Component Integration Services to connect remote Sybase and non-Sybase databases.
- The *Configuration Guide* for your platform – provides instructions for performing specific configuration tasks.
- *Glossary* – defines technical terms used in the Adaptive Server documentation.
- *Historical Server Users Guide* – describes how to use Historical Server to obtain performance information from Adaptive Server.
- *Java in Adaptive Server Enterprise* – describes how to install and use Java classes as datatypes, functions, and stored procedures in the Adaptive Server database.
- *Job Scheduler Users Guide* – provides instructions on how to install and configure, and create and schedule jobs on a local or remote Adaptive Server using the command line or a graphical user interface (GUI).
- *Migration Technology Guide* – describes strategies and tools for migrating to a different version of Adaptive Server.
- *Monitor Client Library Programmers Guide* – describes how to write Monitor Client Library applications that access Adaptive Server performance data.
- *Monitor Server Users Guide* – describes how to use Monitor Server to obtain performance statistics from Adaptive Server.
- *Monitoring Tables Diagram* – illustrates monitor tables and their entity relationships in a poster format. Full-size available only in print version; a compact version is available in PDF format.
- *Performance and Tuning Series* – is a series of books that explain how to tune Adaptive Server for maximum performance:
  - *Basics* – contains the basics for understanding and investigating performance questions in Adaptive Server.
  - *Improving Performance with Statistical Analysis* – describes how Adaptive Server stores and displays statistics, and how to use the set statistics command to analyze server statistics.

- 
- *Locking and Concurrency Control* – describes how to use locking schemes to improve performance, and how to select indexes to minimize concurrency.
  - *Monitoring Adaptive Server with sp\_sysmon* – discusses how to use sp\_sysmon to monitor performance.
  - *Monitoring Tables* – describes how to query Adaptive Server monitoring tables for statistical and diagnostic information.
  - *Physical Database Tuning* – describes how to manage physical data placement, space allocated for data, and the temporary databases.
  - *Query Processing and Abstract Plans* – explains how the optimizer processes queries, and how to use abstract plans to change some of the optimizer plans.
  - *Quick Reference Guide* – provides a comprehensive listing of the names and syntax for commands, functions, system procedures, extended system procedures, datatypes, and utilities in a pocket-sized book (regular size when viewed in PDF format).
  - *Reference Manual* – is a series of books that contains detailed Transact-SQL<sup>®</sup> information:
    - *Building Blocks* – discusses datatypes, functions, global variables, expressions, identifiers and wildcards, and reserved words.
    - *Commands* – documents commands.
    - *Procedures* – describes system procedures, catalog stored procedures, system extended stored procedures, and dbcc stored procedures.
    - *Tables* – discusses system tables, monitor tables, and dbcc tables.
  - *System Administration Guide* –
    - *Volume 1* – provides an introduction to the basics of system administration, including a description of configuration parameters, resource issues, character sets, sort orders, and instructions for diagnosing system problems. The second part of *Volume 1* is an in-depth discussion about security administration.

- *Volume 2* – includes instructions and guidelines for managing physical resources, mirroring devices, configuring memory and data caches, managing multiprocessor servers and user databases, mounting and unmounting databases, creating and using segments, using the reorg command, and checking database consistency. The second half of *Volume 2* describes how to back up and restore system and user databases.
- *System Tables Diagram* – illustrates system tables and their entity relationships in a poster format. Full-size available only in print version; a compact version is available in PDF format.
- *Transact-SQL Users Guide* – documents Transact-SQL, the Sybase-enhanced version of the relational database language. This guide serves as a textbook for beginning users of the database management system, and also contains detailed descriptions of the pubs2 and pubs3 sample databases.
- *Troubleshooting: Error Messages Advanced Resolutions* – contains troubleshooting procedures for problems you may encounter. The problems discussed here are the ones the Sybase Technical Support staff hear about most often.
- *Encrypted Columns Users Guide* – describes how to configure and use encrypted columns with Adaptive Server.
- *In-Memory Database Users Guide* – describes how to configure and use in-memory databases.
- *Using Adaptive Server Distributed Transaction Management Features* – explains how to configure, use, and troubleshoot Adaptive Server DTM features in distributed transaction processing environments.
- *Using Backup Server with IBM® Tivoli® Storage Manager* – describes how to set up and use the IBM Tivoli Storage Manager to create Adaptive Server backups.
- *Using Sybase Failover in a High Availability System* – provides instructions for using Sybase Failover to configure an Adaptive Server as a companion server in a high availability system.
- *Unified Agent and Agent Management Console* – describes the Unified Agent, which provides runtime services to manage, monitor, and control distributed Sybase resources.
- *Utility Guide* – documents the Adaptive Server utility programs, such as isql and bcp, which are executed at the operating system level.

- 
- *Web Services Users Guide* – explains how to configure, use, and troubleshoot Web services for Adaptive Server.
  - *XA Interface Integration Guide for CICS, Encina, and TUXEDO* – provides instructions for using the Sybase DTM XA interface with X/Open XA transaction managers.
  - *XML Services in Adaptive Server Enterprise* – describes the Sybase native XML processor and the Sybase Java-based XML support, introduces XML in the database, and documents the query and mapping functions that are available in XML services.

**Other sources of information**

Use the Sybase Getting Started CD, the SyBooks™ CD, and the Sybase Product Manuals Web site to learn more about your product:

- The Getting Started CD contains release bulletins and installation guides in PDF format, and may also contain other documents or updated information not included on the SyBooks CD. It is included with your software. To read or print documents on the Getting Started CD, you need Adobe Acrobat Reader, which you can download at no charge from the Adobe Web site using a link provided on the CD.
- The SyBooks CD contains product manuals and is included with your software. The Eclipse-based SyBooks browser allows you to access the manuals in an easy-to-use, HTML-based format.

Some documentation may be provided in PDF format, which you can access through the PDF directory on the SyBooks CD. To read or print the PDF files, you need Adobe Acrobat Reader.

Refer to the *SyBooks Installation Guide* on the Getting Started CD, or the *README.txt* file on the SyBooks CD for instructions on installing and starting SyBooks.

- The Sybase Product Manuals Web site is an online version of the SyBooks CD that you can access using a standard Web browser. In addition to product manuals, you will find links to EBFs/Maintenance, Technical Documents, Case Management, Solved Cases, newsgroups, and the Sybase Developer Network.

To access the Sybase Product Manuals Web site, go to Product Manuals at <http://www.sybase.com/support/manuals/>.

**Sybase certifications on the Web**

Technical documentation at the Sybase Web site is updated frequently.

❖ **Finding the latest information on product certifications**

- 1 Point your Web browser to Technical Documents at <http://www.sybase.com/support/techdocs/>.
- 2 Select Products from the navigation bar on the left.
- 3 Select a product name from the product list and click Go.
- 4 Select the Certification Report filter, specify a time frame, and click Go.
- 5 Click a Certification Report title to display the report.

❖ **Finding the latest information on component certifications**

- 1 Point your Web browser to Availability and Certification Reports at <http://certification.sybase.com/>.
- 2 Either select the product family and product under Search by Product; or select the platform and product under Search by Platform.
- 3 Select Search to display the availability and certification report for the selection.

❖ **Creating a personalized view of the Sybase Web site (including support pages)**

Set up a MySybase profile. MySybase is a free service that allows you to create a personalized view of Sybase Web pages.

- 1 Point your Web browser to Technical Documents at <http://www.sybase.com/support/techdocs/>.
- 2 Click MySybase and create a MySybase profile.

**Sybase EBFs and software maintenance**

❖ **Finding the latest information on EBFs and software maintenance**

- 1 Point your Web browser to the Sybase Support Page at <http://www.sybase.com/support>.
- 2 Select EBFs/Maintenance. If prompted, enter your MySybase user name and password.
- 3 Select a product.
- 4 Specify a time frame and click Go. A list of EBF/Maintenance releases is displayed.

Padlock icons indicate that you do not have download authorization for certain EBF/Maintenance releases because you are not registered as a Technical Support Contact. If you have not registered, but have valid information provided by your Sybase representative or through your support contract, click Edit Roles to add the “Technical Support Contact” role to your MySybase profile.

- 5 Click the Info icon to display the EBF/Maintenance report, or click the product description to download the software.

## Conventions

The following sections describe conventions used in this manual.

SQL is a free-form language. There are no rules about the number of words you can put on a line or where you must break a line. However, for readability, all examples and most syntax statements in this manual are formatted so that each clause of a statement begins on a new line. Clauses that have more than one part extend to additional lines, which are indented. Complex commands are formatted using modified Backus Naur Form (BNF) notation.

Table 1 shows the conventions for syntax statements that appear in this manual:

**Table 1: Font and syntax conventions for this manual**

Element	Example
Command names, procedure names, utility names, and other keywords display in sans serif font.	select sp_configure
Database names and datatypes are in sans serif font.	master database
Book names, file names, variables, and path names are in italics.	<i>System Administration Guide</i> <i>sql.ini</i> file <i>column_name</i> \$SYBASE/ASE directory
Variables—or words that stand for values that you fill in—when they are part of a query or statement, are in italics in Courier font.	select <i>column_name</i> from <i>table_name</i> where <i>search_conditions</i>
Type parentheses as part of the command.	compute <i>row_aggregate</i> ( <i>column_name</i> )
Double colon, equals sign indicates that the syntax is written in BNF notation. Do not type this symbol. Indicates “is defined as”.	::=
Curly braces mean that you must choose at least one of the enclosed options. Do not type the braces.	{ <i>cash, check, credit</i> }
Brackets mean that to choose one or more of the enclosed options is optional. Do not type the brackets.	[ <i>cash   check   credit</i> ]
The comma means you may choose as many of the options shown as you want. Separate your choices with commas as part of the command.	<i>cash, check, credit</i>

Element	Example
The pipe or vertical bar( ) means you may select only one of the options shown.	cash   check   credit
An ellipsis (...) means that you can <i>repeat</i> the last unit as many times as you like.	<pre>buy thing = price [cash   check   credit] [, thing = price [cash   check   credit]]...</pre> <p>You must buy at least one thing and give its price. You may choose a method of payment: one of the items enclosed in square brackets. You may also choose to buy additional things: as many of them as you like. For each thing you buy, give its name, its price, and (optionally) a method of payment.</p>

- Syntax statements (displaying the syntax and all options for a command) appear as follows:

```
sp_dropdevice [device_name]
```

For a command with more options:

```
select column_name
from table_name
where search_conditions
```

In syntax statements, keywords (commands) are in normal font and identifiers are in lowercase. Italic font shows user-supplied words.

- Examples showing the use of Transact-SQL commands are printed like this:

```
select * from publishers
```

- Examples of output from the computer appear as follows:

```
pub_id      pub_name                city                state
-----
0736       New Age Books           Boston              MA
0877       Binnet & Hardley        Washington           DC
1389       Algodata Infosystems   Berkeley            CA
```

(3 rows affected)

In this manual, most of the examples are in lowercase. However, you can disregard case when typing Transact-SQL keywords. For example, SELECT, Select, and select are the same.

---

Adaptive Server's sensitivity to the case of database objects, such as table names, depends on the sort order installed on Adaptive Server. You can change case sensitivity for single-byte character sets by reconfiguring the Adaptive Server sort order. For more information, see the *System Administration Guide*.

## Terms

The following terms appear repeatedly throughout this book. For more detailed information about these and other terms, see the *Glossary*.

- */work/sybase* – is given as an example of the Sybase installation directory.
- *Text editor* refers to an ASCII text editor or any editor that can save files to text format.

## Accessibility features

This document is available in an HTML version that is specialized for accessibility. You can navigate the HTML with an adaptive technology such as a screen reader, or view it with a screen enlarger.

Adaptive Server Enterprise and the HTML documentation have been tested for compliance with U.S. government Section 508 Accessibility requirements. Documents that comply with Section 508 generally also meet non-U.S. accessibility guidelines, such as the World Wide Web Consortium (W3C) guidelines for Web sites.

The online help for this product is also provided in HTML, which you can navigate using a screen reader.

---

**Note** You might need to configure your accessibility tool for optimal use. Some screen readers pronounce text based on its case; for example, they pronounce ALL UPPERCASE TEXT as initials, and MixedCase Text as words. You might find it helpful to configure your tool to announce syntax conventions. Consult the documentation for your tool.

---

For information about how Sybase supports accessibility, see Sybase Accessibility at <http://www.sybase.com/accessibility>. The Sybase Accessibility site includes links to information on Section 508 and W3C standards.

## If you need help

Each Sybase installation that has purchased a support contract has one or more designated people who are authorized to contact Sybase Technical Support. If you cannot resolve a problem using the manuals or online help, please have the designated person contact Sybase Technical Support or the Sybase subsidiary in your area.



# Introduction

Sybase Adaptive Server Enterprise for UNIX is a full-featured Adaptive Server that runs on the following platforms:

- HP-UX
- IBM AIX
- Sun Solaris
- Linux

---

**Note** The instructions in this book assume that Adaptive Server is installed and running. For information about installing and starting Adaptive Server, as well as for an overview of Adaptive Server, see the Adaptive Server *Installation Guide* for your platform.

---

This chapter provides an overview of how to configure Adaptive Server and the steps you need to take to customize it for your use.

Topic	Page
About Adaptive Server	1
System-specific issues	2
System user roles	3
Environment variables	3
Adaptive Server devices and system databases	5
Client/server communication	12
Changing Adaptive Server configuration	13
Languages other than U.S. English	14
Adaptive Server specifications	14

## About Adaptive Server

Adaptive Server performs data management and transaction functions, independent of client applications and user interface functions.

Adaptive Server also:

- Manages multiple databases and multiple users
- Keeps track of the data's location on disks
- Maintains the mapping of logical data description to physical data storage
- Maintains data and procedure caches in memory

Adaptive Server uses these auxiliary programs to perform dedicated tasks:

- Backup Server manages database load, dump, backup, and restoration activities.
- Monitor Server keeps track of performance data.
- Historical Server obtains performance data from Monitor Server and saves the data in files for use at a later time.
- XP Server stores the extended stored procedures (ESPs) that allow Adaptive Server to run operating-system and user-defined commands.

## System-specific issues

Adaptive Server runs on a variety of hardware and operating system platforms. System-specific issues do not affect the basic functionality of Adaptive Server, but there are differences among platform implementations. These differences may include:

- Adaptive Server configuration
- Changes to the operating system that enable or enhance Adaptive Server performance
- The structure of entries in the *interfaces* file
- Options for selecting database devices
- Operating system commands or utilities that simplify or automate routine system administration tasks
- Operating system utilities for monitoring Adaptive Server performance

System-specific issues are described in this document. For more information about system-specific issues, see the *Installation Guide* and release bulletin for your platform.

## System user roles

The Adaptive Server installation and setup process defines various user roles. Different user roles have different responsibilities and privileges. These user roles clarify the way Adaptive Server is to be integrated into your system:

- Operating system administrator – the individual who maintains the operating system. This individual has superuser or “root” privileges.
- System Administrator – the individual in charge of Adaptive Server system administration, creating user accounts, assigning permissions on databases, and creating new databases. At installation time, the System Administrator’s login name is “sa”. The “sa” login is not a UNIX login. The “sa” login is specific to Adaptive Server and is used to log in to Adaptive Server using the `isql` command.
- “sybase” login – the “sybase” login is a UNIX login that owns all the Sybase installation directories and files, sets permissions on those directories and files, and performs the installation and upgrading of Adaptive Server. This login is preferred, but not required.

## Environment variables

It is crucial to the operation of Sybase products that the system environment variables be set correctly.

Environment variables are set in the user’s environment either interactively or by including them in the user’s `.login` and `.cshrc` files (for C shell) or `.profile` file (for Bourne shell). The installation instructions in this guide explain when to set these variables.

---

**Note** As part of the installation, the installer setup these environment variables in `SYBASE.csh` and `SYBASE.sh` files. You can source the file to set their environment.

---

- `DSLISNEN` – defines the name Adaptive Server uses to listen for client connections if no name is given during the Adaptive Server start-up. If `DSLISNEN` is not set, and no name is given during the Adaptive Server start-up, the Adaptive Server name defaults to `SYBASE`.

- **DSQUERY** – defines the Adaptive Server name that client programs attempt to connect to if no Adaptive Server is specified with a command line option. If **DSQUERY** is not set, and you do not supply the Adaptive Server name with a command line option, clients attempt to connect to **SYBASE**.
- **SYBASE** – defines the path of the Sybase installation directory. The installation program sets up the variable **SYBASE** to point to the release directory specified during installation.
- **SYBASE\_ASE** – defines the subdirectory of the Adaptive Server component.
- **SYBASE\_OCS** – defines the subdirectory to which Open Client™ is set.
- **SYBASE\_FTS** – defines the subdirectory for the full-text search components.
- **SYBASE\_SYSAM** – points to the license-management software directory.
- **PATH** – specifies directory path to search for executables. The Sybase executables are located in the *installed\_components/bin* directory. When using the source files *SYBASE.csh* or *SYBASE.sh*, the following paths are prepended to **PATH**:

```
    $SYBASE/$SYBASE_ASE/bin:$SYBASE/$SYBASE_OCS/bin
```

- **LD\_LIBRARY\_PATH** – this variable specifies the directory to search for shared libraries. The Sybase shared libraries are located in the installed component's *lib* directory.

When using the source files: *SYBASE.csh* or *SYBASE.sh*, the following paths are prepended to the **LD\_LIBRARY\_PATH** environment variable:

```
    $SYBASE/$SYBASE_ASE/lib:$SYBASE/$SYBASE_OCS/  
    lib:$SYBASE/SYBASE_FTS/lib,etc.
```

- **LD\_LIBRARY\_PATH64** – this variable specifies the directory to search for shared libraries on 64-bit Sun platforms.
- **LIBPATH** – on the IBM RS/6000 platform, this variable specifies which directory to search for libraries.

When using the source files: *SYBASE.csh* or *SYBASE.sh*, the following paths are prepended to the **LIBPATH** environment variable:

```
    $SYBASE/$SYBASE_ASE/lib:$SYBASE/$SYBASE_OCS/  
    lib: $SYBASE/SYBASE_FTS/lib, etc.
```

- `SHLIB_PATH` – on HP-UX platforms, this variable specifies which directory to search for libraries.

When using the source files: *SYBASE.csh* or *SYBASE.sh*, the following paths are prepended to the `LIBPATH` environment variable:

```
$SYBASE/$SYBASE_ASE/lib:$SYBASE/$SYBASE_OCS/  
lib: $SYBASE/SYBASE_FTS/lib, etc.
```

## Adaptive Server devices and system databases

Devices are files or portions of a disk that are used to store databases and database objects. You can initialize devices using raw disk partitions or operating system files.

Adaptive Server requires the following devices:

- `master` – to store system databases.
- `sysystemdb` – to store information about distributed transaction.
- `sysprocsdev` – to store system procedures.

The `master`, `sysystemdb`, and `sysprocsdev` devices are created when you create a new Adaptive Server.

### The master device

The master device contains the following databases:

- `master` – controls the operation of Adaptive Server as a whole and stores information about all users, user databases, devices, objects, and system table entries. The master database is contained entirely on the master device and cannot be expanded onto any other device.
- `model` – provides a template for new user databases. The model database contains required system tables, which are copied into a new user database with the `create database` command.
- `tempdb` – the work area for temporary databases in Adaptive Server. Adaptive Server supports multiple tempdbs. See “create temporary database” in the *T-SQL Users Guide*. Each time Adaptive Server is started, the `tempdb` database is cleared and rebuilt from the model database.

- The sample databases, pubs2 and pubs 3, are stored on the master device at installation, but should be moved to a user-defined device after installation.

---

**Note** For recovery purposes, Sybase recommends that you do not create other system or user databases or user objects on the master device.

---

## The sybssystemdb device

For new installations the master device also contains the sybssystemdb database. The sybssystemdb device stores the sybssystemdb database, which stores information about transactions in progress, and which is also used during recovery.

The sybssystemdb database is required to support distributed transaction management (DTM) features. Before installation, make sure you have enough space available on the default segment to support sybssystemdb.

## The sysprocsdev device

The sysprocsdev devices stores the sybssystemprocs database, which contains most of the Sybase-supplied system procedures. System procedures are a collection of SQL statements and flow-of-control statements that perform system tasks, for example, sp\_configure.

The system procedures that are needed during recovery situations are stored in the master database.

---

**Note** sysprocsdev is the default system name for this device. However, it is frequently referred to as the sybssystemprocs device, since it stores the sybssystemprocs database.

---

## Optional devices and databases

The devices and databases described in the following sections are optional.

### Pluggable component interface (PCI) database

The pluggable component interface (PCI) allows you to add pluggable libraries that provide different functionalities to the Adaptive Server. Java support (pluggable component adaptor/Java virtual machine) is included as a pluggable component with Adaptive Server 15.0.3.

The sybpcidb database stores necessary configuration information for the PCI and the pluggable component adaptor/Java virtual machine (PCA/JVM) plugin.

To enable PCI in Adaptive Server by using `srvbuidres`, add PCI/Java related properties to the resource files used by these utilities. Enter these values:

```
sqlsrv.do_configure_pci: yes
sqlsrv.sybpcidb_device_physical_name: /device_path
sqlsrv.sybpcidb_device_size: USE_DEFAULT
sqlsrv.sybpcidb_database_size: USE_DEFAULT
```

### The sample databases

The sample databases are:

- `pubs2` and `pubs3` – provided as learning tools for Adaptive Server. `pubs2` is used for most of the examples in the Adaptive Server documentation; other examples use the `pubs3` database. Both are available in U.S. English versions of Adaptive Server.
- `interpubs` – contains French and German data.
- `jpubs` – contains Japanese data.

For information about installing the sample databases, see the *Installation Guide* for your platform, Chapter 3, “Post-Installation Tasks.”

For information about the contents of the sample databases, see the *Transact-SQL Users Guide*.

### The sybsecurity device and database

The sybsecurity device is created as part of the auditing installation process. The sybsecurity device stores the sybsecurity database and the auditing system procedures with which you can configure auditing for your system.

The auditing system records system security information in an Adaptive Server audit trail. You can use this audit trail to monitor the use of Adaptive Server or system resources.

For instructions on configuring Adaptive Server for auditing, see Chapter 10, “Adding Optional Functionality to Adaptive Server.” For information about installing and using the auditing system, see the chapter on “Auditing” in the *System Administration Guide*.

**dbccdb database** The database consistency checker (dbcc) provides commands for checking the logical and physical consistency of a database. The dbccdb database stores the results of dbcc when dbcc checkstorage or dbcc checkverify is used.

dbcc checkstorage records consistency information for the **target database**, operation activity, and the results of the operation in the dbccdb database. Stored in the database are dbcc stored procedures for creating and maintaining dbccdb and for generating reports on the results of dbcc checkstorage operations.

For information on installing and using dbccdb, see Chapter 25, “Checking Database Consistency,” in the *System Administration Guide*.

**sybmgmtdb database** sybmgmtdb is a Job Scheduler database.

All the job, schedule, and scheduled job information, and data needed by the Job Scheduler task for internal processing is stored in the sybmgmtdb database. Most access to data in the sybmgmtdb database is via stored procedures. The stored procedures make the data available to the GUI, the JS Agent and the command-line interface. Only the Job Scheduler task accesses data directly from the sybmgmtdb database.

For more information about sybmgmtdb and Job Scheduler, see *Job Scheduler User's Guide*.

## Using UNIX operating system files as database devices

For devices that are initialized on UNIX operating system files, choose one of these methods to ensure that writes on the device occur directly on the physical media:

- Use the `directio` parameter with `disk init`, `disk reinit` or `sp_deviceattr`
- Specify the `dsync` setting with `disk init`

`directio` and `dsync` parameters are mutually exclusive. If a device has `dsync` set to true, you cannot set `directio` to true for this device. To enable `directio` for a device, also reset `dsync` to false.



## Using the *directio* parameter

The *directio* parameter for `disk init`, `disk reinit`, and `sp_deviceattr` lets you configure Adaptive Server to transfer data directly to disk, bypassing the operating system buffer cache. *directio* performs I/O in the same manner as raw devices and provides the same performance benefit, but has the ease of use and manageability of file system devices.

By default, the *directio* option is set to false (off) for all platforms.

For more information on using *directio*, see the *System Administration Guide, Volume 1*.

## Using the *dsync* option

The *dsync* option ensures Adaptive Server can recover data from devices on the file systems. By default, Adaptive Server enables *dsync* for file system devices. However, *dsync* may cause performance degradation for file system devices that experience high write activity. You can set or reset *dsync* using the `disk init`, `disk reinit`, and `sp_deviceattr` commands.

---

**Note** The *dsync* option is ignored for raw devices.

---

By default, when you install a new Adaptive Server, *dsync* is set on for all file system devices.

When you are upgrading from ASE 12.0 or earlier versions on a UNIX server that stored databases on UNIX file system devices, by default, *dsync* is set:

- on for the master device
- off for all other devices

Immediately after upgrading, check to make sure that *dsync* or *directio* is set for the file system devices. See also `sp_deviceattr` and `sp_helpdevice` in the *Reference Manual*

---

**Warning!** Data corruption may occur if *dsync* option is not set immediately after upgrade.

---

## Determining the location, type, and size of a database device

Adaptive Server requires several database devices. Table 1-1 below shows baseline values for each of the devices. See the release bulletin for any last minute changes to these values.

**Table 1-1: Adaptive Server database devices**

<b>Device</b>	<b>Purpose</b>	<b>Minimum size</b>	<b>Minimum recommended size</b>
master	Stores system databases	24MB for 2K pages 45MB for 4K pages 89MB for 8K pages 177MB for 16K pages	30MB 60MB 120MB 240MB
sysprocsdev (also called the sybssystemprocs device)	Stores the sybssystemprocs database	136MB	140MB (plus any space for holding stored procedures that you have created)
sybssystemdb	Transaction processing	3MB for 2K pages 6MB for 4K pages 12MB for 8K pages 24MB for 16K pages	5 – 24MB
sybsecurity (optional)	Required for auditing	10MB or size of the model database (the larger of the two)	Depends on specific auditing needs; see “Adding auditing” on page 119

### For Solaris, HP-UX, IBM AIX, and Linux

For all databases you can use either a raw partition or a file.

Sybase Adaptive Server supports the database devices on NFS- and CIFS-mounted devices with Network Appliance Filers for storing data. Network appliance filers provide the same performance and data integrity as raw devices. There are no changes needed to the operating system or to Sybase Adaptive Server to use network appliance filers.

NFS mounted devices have been tested on Solaris, HP-UX, IBM AIX, and Linux.

## For All Platforms

You may need to repartition the disk you choose. Contact your operating system administrator for assistance.

When preparing a raw partition device, follow these guidelines:

- Do not initialize a database device on the partition that contains your Sybase installation software. Doing so destroys all existing files on that partition.
- A raw partition designated for use by Sybase cannot be mounted for use by the operating system for any other purpose, such as for file systems or swap space.
- After a Sybase configuration utility or the disk init command has initialized a portion of a partition as a database device, you cannot use the entire partition for any other purpose. To dynamically increase the size of your database devices, rather than initializing a new device, use disk resize. See “Creating files for database devices” on page 116.
- For best performance, place the Sybase software and all disk devices, including the master device, on the same machine.
- To avoid any possibility of using a partition that contains the partition map, do not use cylinder 0.

### ❖ Choosing a raw partition

- 1 Determine which raw partitions are available.
- 2 Determine the sizes of the raw partitions.
- 3 From the list of available raw partitions, select a raw partition for each device, based on the size recommendations in Table 1-1 on page 10.
- 4 Verify with the operating System Administrator that the partition you have chosen is available.
- 5 Make sure the “sybase” user has read and write privileges to the raw partition.

---

**Note** For more information on choosing a raw partition, see your operating system documentation.

---

## Client/server communication

Adaptive Server communicates with other Adaptive Servers, Open Server™ applications (such as Backup Server), and client software on your network. Clients can talk to one or more servers, and servers can communicate with other servers by remote procedure calls.

For Sybase products to interact with one another, each product needs to know where the others reside on the network. Names and addresses of every known server are listed in a directory services file. This information can be stored in a directory services file two different ways:

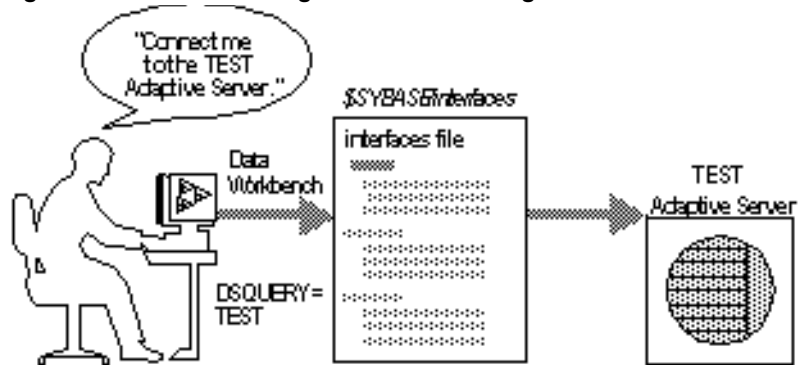
- In an interfaces file, named *interfaces* on UNIX platforms, located in the *\$SYBASE* installation directory, or
- In an LDAP server

After your Adaptive Server or client software is installed, it can connect with any server on the network that is listed in the directory services.

When you are using a client program, and you want to connect with a particular server, the client program looks up the server name in the directory services and connects to that server, as shown in Figure 1-1. You can supply the name of the server by using the DSQUERY environment variable.

On TCP/IP networks, the port number gives clients a way to identify the Adaptive Server, Open Server, Backup Server, or Monitor Server to which they want to connect. It also tells the server where to listen for incoming connection attempts from clients. The server uses a single port for these two services (referred to as *query service* and *listener service*).

**Figure 1-1: Communicating with a server using interfaces file**



During installation, you use the `srvbuild` utility to create and configure a new server. The `srvbuild` process adds entries to the interfaces file for your new Adaptive Server, Backup Server, Monitor Server, and XP Server.

For instructions on how to modify existing interfaces file entries using `dsedit` and `dscp`, see the *Utility Guide*. To create new interfaces file entries for existing servers, see Chapter 6, "Using the Lightweight Directory Access Protocol as a Directory Service."

## Changing Adaptive Server configuration

Use `sp_configure` to change the configuration of Adaptive Server. To change the configuration of several servers, enter the `sp_configure` information in a script. For details on using `sp_configure`, see the *System Administration Guide* and the *Reference Manual*.

For information about configuring languages, character sets, and sort orders, see Chapter 7, "Customizing Localization for Adaptive Server."

For information about configuring Adaptive Server to use high availability features, see *Using Sybase Failover in a High Availability Environment*.

For information about configuring Adaptive Server for distributed transaction management (two-phase commit), see the *Using Adaptive Server Distributed Transaction Management Features*.

## Languages other than U.S. English

If you are running `srvbuild` in a language other than U.S. English, verify that any input you provide uses a character set that is supported by the `us_english` character set.

---

**Note** The `us_english` character set does not support accent marks, such as tildes (~) and umlauts (ü). This prevents `srvbuild` from supporting the character sets that use these characters.

---

For more information about languages, character sets, and sort orders, see the *Installation Guide* for your platform. For more information on `srvbuild`, see the *Utility Guide*.

## Adaptive Server specifications

### *Database specifications*

Databases per Adaptive Server	A maximum of 32,767 databases per server	
Maximum database size	<ul style="list-style-type: none"> <li>• 2K page server – 4TB</li> <li>• 4K page server – 8TB</li> <li>• 8K page server – 16TB</li> <li>• 16K page server – 32TB</li> </ul>	
Minimum allowable sybssystemprocs database	136MB	Required for an upgrade
Maximum size of a database device (disk partition)	2 <sup>24</sup> (4TB)	If the Operating System supports file sizes up to 4TB, then Adaptive Server supports file system devices up to 4TB
Maximum number of database devices per server	2 <sup>31</sup>	
Maximum number of devices or device pieces per database	Unlimited	Limited by available memory
Maximum number of segments per database	31	
Maximum number of login IDs per server	2147516416	

---

Maximum number of users per database 2146484223

---

Maximum number of groups per database 1032193

*Table specifications*

---

User objects per database  $2^{31} - 255$

---

Indexes per table 250 (one clustered index)

---

Rows per table Limited by available storage Maximum  $2^{32}$

---

Columns per composite index 31

---

Creation of clustered index  $1.2*(x + y)$  For sorted data, approximately 20 percent of the table size needed  
 x = total data space in table,  
 y = sum of space of all nonclustered indexes on table,  
 and 20 percent overhead for logging

---

Maximum size of object name 255

*Query specifications*

---

Maximum number of tables participating in a query, for a query without a union, or for each side of a union in a query 64 Maximum of 50 user tables, including result tables, tables referenced by views (the view itself is not counted) correlations and self-joins; maximum of 46 worktables

---

Maximum number of tables in a "union" query 256 Includes up to 50 user tables and 14 work tables on every side of the union, for a total of up to 256 tables across all sides of the union.

---

Maximum number of databases participating in one transaction Unlimited Includes database where transaction began, all databases changed during transaction, and tempdb, if it is used for results or worktables

Practical number of databases participating in one query	16	Includes each occurrence of each database queried and tempdb, if it is used for results or worktables
Maximum number of tables with referential integrity constraints for a query	192	

*Procedure specifications*

Number of buffers and procedure buffers	Configurable	Limited by amount of RAM and maximum size of shared memory segment
Minimum memory required per stored procedure	2K	
Maximum number of parameters per stored procedure	2048	

Adaptive Server extended-limit capabilities vary by type of table and the database logical page size. Table 1-2 lists the column and row limits for allpages-locked (APL) tables.

**Table 1-2: Allpages-locked (APL) tables**

Maximum APL table limits	Number of columns	Column size 2K page	Column size 4K page	Column size 8K page	Column size 16K page
Fixed-length column	1024	1960 bytes	4008 bytes	8104 bytes	16296 bytes
Variable-length column	254	1948 bytes	3988 bytes	8068 bytes	16228 bytes

Table 1-3 lists the column and row limits for data-only-locked (DOL) tables.

**Table 1-3: Data row and data page tables.**

Maximum DOL table limits	Number of columns	Column size 2K page	Column size 4K page	Column size 8K page	Column size 16K page
Fixed-length column	1024	1958 bytes	4006 bytes	8102 bytes	16294 bytes
Variable-length column	1024	1954 bytes	4002 bytes	8089 bytes	16290 bytes

Database space requirements depend upon the logical page size of the server. If your model database is larger than the minimum size listed below, then the minimum size of the database is equal to the model database. Table 1-4 lists the minimum size for each database.

**Table 1-4: Database requirements for varying page sizes**

Databases	2K page	4K page	8K page	16K page
master database	13MB	26MB	52MB	104MB



Databases	2K page	4K page	8K page	16K page
model database	3MB	6MB	12MB	24MB
tempdb database	4MB	6MB	12MB	24MB
sybssystemdb database	3MB	6MB	12MB	24MB
sybpcidb database	24MB	48MB	96MB	192MB

Larger logical page sizes can contain more data. Table 1-5 lists the maximum data for each logical page size.

**Table 1-5: Data limits for tables according to page size**

Tables	2K page	4K page	8K page	16K page
Bytes per index key	600	1250	2600	5300
User-visible row length DOL table	1958	4006	8102	16294
User-visible row length APL table	1960	4008	8104	16296



# Starting and Stopping Servers

This chapter describes how to start and stop Adaptive Server, Backup Server, Monitor Server, and XP Server.

Topic	Page
Overview	19
Starting servers	20
Starting servers when the operating system restarts	22
Starting XP Server after initial installation	26
Stopping servers	26

## Overview

The methods described in this chapter are used to start Adaptive Server, Backup Server, and Monitor Server after a shutdown for database maintenance, because of an operating system crash, or for other reasons.

XP Server is not started by the installation process. XP Server is started by Adaptive Server when an XP command is issued through isql.

You can use Sybase Central to start and stop servers manually or automatically. For more information about Sybase Central, see “Chapter 1, Overview of System Administration,” in the *System Administration Guide*.

## Requirements for starting servers

To start a server, your user account must have:

- Anyone with access to the database servers (execute privileges) and database devices (read/write privileges).
- Access to Adaptive Server distribution files

- The system environment variables discussed in Chapter 1, “Introduction”
- Access to SySAM licenses. For more information, see the *Sybase Software Asset Management User’s Guide*.

The installation program creates the *interfaces* file and system environment variables when you install servers on your computer.

## Starting servers

You can start Adaptive Server, Backup Server, or Monitor Server from the command line by using *RUN\_server\_name* files and startserver commands. You can customize the starting options.

You can also customize the start up options by editing the *RUN\_server\_name*.

## Server start-up parameters

The default start-up parameters are stored under *\$\$SYBASE/\$\$SYBASE\_ASE/install/RUN\_server\_name*, where *server\_name* is the name of the server you installed.

Backup Server, Monitor Server, and Historical Server server names are appended with “\_back”, “\_mon”, and “\_hs”, respectively.

Table 2-1 lists the default start-up parameters for Adaptive Server.

**Table 2-1: Default Adaptive Server start-up parameters**

Switch	Description
-d <i>\$\$SYBASE/data/master.dat</i>	Location of the master device file
-s <i>server_name</i>	Name of the Adaptive Server
-e <i>\$\$SYBASE/\$\$SYBASE_ASE/install/errorlog</i>	Location and name of the error log file
-M <i>\$\$SYBASE/\$\$SYBASE_ASE</i>	Directory that stores shared memory files
-N <i>\$\$SYBASE/\$\$SYBASE_ASE/sysam/&lt;srv_name&gt;.properties</i>	Location and name of license cache file.

## Changing start-up parameters

You cannot change any of these default start-up parameters unless you directly edit the `$$SYBASE/$SYBASE_ASE/install/RUN_server_name` file. You can also specify additional start-up parameters within the `$$SYBASE/$SYBASE_ASE/install/RUN_server_name` file.

Additional start-up parameters include any valid server command line options listed for the `databaserver` and `backupserver` descriptions in the *Utility Guide*. For a description of start-up parameters for Monitor Server and Historical Server, see the Adaptive Server Enterprise Monitor documentation.

## Using a `RUN_server_name` file

Each time a new Adaptive Server, Backup Server, or Monitor Server is created, the `srvbuild` program creates a `RUN_server_name` file that contains the information required to restart that server. `RUN_server_name` files are created in the `$$SYBASE/$SYBASE_ASE/install` directory. For Adaptive Server, the `RUN_server_name` file is named `RUN_servername`, where `servername` is the name of the server.

For example, the `RUN_server_name` file name for an Adaptive Server named `TEST` is `RUN_TEST`.

For Backup Server and Monitor Server, the `RUN_server_name` files are named `RUN_servername_back` and `RUN_servername_mon`, respectively, where `servername` is the name of the server.

---

**Warning!** Do not delete the `RUN_server_name` file that is created in `$$SYBASE/$SYBASE_ASE/install`. This file is used to restart servers when you customize your installation. If you need the `RUN_server_name` file in another location, make a copy of the original `RUN_server_name` file in the new location.

---

## Using the `startserver` command

To start a server from the command line, enter:

```
$$SYBASE/$SYBASE_ASE/install/startserver [ -f RUN_server_name file ]
```

where `$$SYBASE/$SYBASE_ASE/install/startserver` is the full path name of the `startserver` utility, and `RUN_server_name file` is the full path name of the `RUN_server_name` file (usually `$$SYBASE/$SYBASE_ASE/install/RUN_server_name`).

If your Adaptive Server is named SYBASE, the `RUN_server_name` file specification is optional.

You must have read and write permissions on the master device for an Adaptive Server to start it with `startserver`. For more information about `startserver`, see the Adaptive Server *Utility Guide*.

## Using the `monserver` and `backupserver` commands

Use the `monserver` command to start Monitor Server from the UNIX command line. For details, see the *Adaptive Server Enterprise Monitor Server User's Guide*.

## Starting servers when the operating system restarts

This section describes how to configure your operating system for automatic restart of Adaptive Server and Backup Server.

On production systems, Adaptive Server, Backup Server, and Monitor Server should restart automatically when the UNIX operating system starts. This is accomplished by making an entry for the server in the operating system start-up script. Monitor Server must be listed *after* Adaptive Server in the start-up script.

For more information on starting Monitor Server at operating system restart, see the *Monitor Server User's Guide*.

---

**Note** The startup script must set up all the required Sybase environment variables, or source `SYBASE.csh` or `SYBASE.sh`, before starting the server.

---

## For HP-UX

In HP-UX versions 10.0 and later, you cannot edit commands in the `/etc/rc` file, so the System Administrator must create a script that executes when the operating system starts or shuts down.

For more information about `rc (1M)`, see the HP-UX manual page. You can model your script after the HP-UX template file `/sbin/init.d/template`.

After creating the start-up and shutdown script, place it in the directory `/sbin/init.d`. Execution scripts placed in this directory have symbolic links to directories `/sbin/rcn.d` where `n` is the system run level. The linked scripts in `/sbin/rcn.d` are used to control the sequencing order of the execution scripts.

## For IBM RS/6000

On production systems, you can restart Adaptive Server automatically whenever the UNIX operating system restarts. To have Adaptive Server restart automatically, place the `startserver` command in the `/etc/inittab` file.

Here is a suggested format for an Adaptive Server start-up command to add to `/etc/inittab`:

```
"sybase:2:wait:/release_directory/install/startserver -f \ RUN_servername  
/dev/console 2>&1"
```

Where `release_directory` is the full path to the Sybase installation directory (specified as the `SYBASE` environment variable), and `RUN_servername` is the `RUN_server_name` file for the server you are starting.

Make sure that the entry for starting Adaptive Server *follows* any entry for `/etc/rc.tcpip` and `/etc/rc.nfs` in the `/etc/inittab` file. All network resources must be available before you start Adaptive Server; otherwise, Adaptive Server does not start. Also, your server does not start if the network is not running.

Slow start-up of network operations can also prevent Adaptive Server from starting, even when the commands in the `/etc/rc.tcpip` file are in the correct order. You can designate a period of time for Adaptive Server to wait before starting by inserting a `sleep` command before the server start-up command in the `RUN_server_name` file. The `sleep` command is in the form:

```
sleep seconds_of_rest
```

---

**Note** To enable restart of a Backup Server when the operating system starts, add a Backup Server start-up command to */etc/inittab*. Use the path of the Backup Server *RUN\_server\_name* file in this command.

---

## For Sun Solaris and Linux

Before you set Adaptive Server or Backup Server to start automatically, make sure that all network resources are available. Your server does not start if the network is not running. Be sure that the entry for restarting the server *follows* any commands in the *rc* directory for starting network operations. Slow start-up of network operations may prevent servers from starting, even if commands are in the correct order in the *rc* directory. You may want to designate a period of time for your server to wait before starting by inserting a sleep command at the beginning of the linked *RUN\_server\_name* file you created.

To configure your operating system for automatic restart of Adaptive Server and Backup Server:

- 1 Create a start-up script file with contents like the following:

```
$$SYBASE/$$SYBASE_ASE/install/startserver  
-f  
$$SYBASE/$$SYBASE_ASE/install/RUN_servername
```

where *\$\$SYBASE/\$\$SYBASE\_ASE/install/startserver* is the full path name of the *startserver* utility, and *\$\$SYBASE/\$\$SYBASE\_ASE/install/RUN\_servername* is the full path name of the *RUN\_server\_name* file for the server.

- 2 Copy the script to the */etc/init.d* directory, using syntax like the following:  

```
cp script_name /etc/init.d/script_name
```
- 3 Review the contents of the */etc/inittab* file to determine the default run level for your operating system. The *initdefault* entry specifies the default run level, which is usually 2 or 3 for Sun Solaris and 5 for Linux
- 4 Use the *ln* command to create a hard link from the *RUN\_server\_name* file to the appropriate *run control (rc)* directory, *rc#*, where # is the default run level obtained in step 2.

Use syntax like the following for Sun Solaris:



```
ln /etc/init.d/script_name /etc/rc#.d/S##script_name
```

For Linux:

Use `ln -s` to create symbolic links from the script name to the appropriate run control (*rc*) directory, *rc#* where *#* is the run level. Use syntax like the following:

```
ln -s /etc/init.d/script_name /etc/rc#.d/S##script_name
```

When you type the command to create this link, add an uppercase “S” and a two-digit sequence number preceding the name of the script file. “S” indicates a start-up file. The sequence number is necessary because files in the *rc* directory are executed in order of their numbers. This file should be executed last, so you should use a sequence number that follows all existing numbers in ASCII order.

You can perform an `ls` command on the *rc* directory to view existing sequence numbers. For example:

```
ls /etc/rc3.d/S*
```

returns:

```
/etc/rc3.d/S10syslog
/etc/rc3.d/S15nfs.server
/etc/rc3.d/S21rfs
```

If your script is named `sybstart`, type the following:

```
ln /etc/init.d/sybstart /etc/rc3.d/S77sybstart
```

In this example, you can use any number greater than 27 in place of 77.

For Linux:

You can perform an `ls` command on the *rc* directory to view existing sequence numbers. For example:

```
ls /etc/rc5.d/S*
```

returns:

```
/etc/rc5.d/S12syslog
/etc/rc5.d/S14nfslock
/etc/rc5.d/S27ypbind
```

and so on. If your script is named `sybstart`, type the following:

```
ln -s /etc/init.d/sybstart /etc/rc5.d/S99sybstart
```

In this example, you can use any number greater than 27 in place of 99.

## Starting XP Server after initial installation

If you install Adaptive Server and XP Server in the same build session, `srvbuild` automatically adds information about the XP Server to the `syssservers` table of Adaptive Server. If you install XP Server in a different build session than the Adaptive Server installation, you are prompted during the XP Server installation process to supply the name of the related Adaptive Server and the System Administrator's name and password. This information is required by Adaptive Server to start XP Server.

If you do not supply this information during the installation process, XP Server cannot run. When you execute an extended stored procedure (ESP), you see an error message similar to the following:

```
Msg 11018, Level 16, State 1:  
Procedure 'xp_cmdshell', Line 2  
XP Server must be up for ESP to execute.
```

To add this required information to the `syssservers` table manually, enter:

```
sp_addserver SERVERNAME_XP, NULL, SERVERNAME_XP
```

where *servername* is the name of the Adaptive Server.

## Stopping servers

Only the System Administrator has permission to issue a shutdown command. Using a shutdown command minimizes the amount of work that automatic recovery needs to do when the servers are restarted.

The preferred method of stopping Adaptive Server or Backup Server is to use the Transact-SQL shutdown command. For Monitor Server, use the `sms_shutdown` command.

## Stopping Adaptive Server

To shut down Adaptive Server:

- 1 Use `isql` to log in to an Adaptive Server account with System Administrator privileges:

```
isql -Usa -Ppassword -Sserver_name
```

2 Enter:

```
1> shutdown
2> go
```

The default for shutdown uses the `with wait` option, which allows Adaptive Server to finish executing SQL statements or procedures, perform a checkpoint in each database, disable new logins, and perform other shutdown tasks.

Issuing the shutdown command prints a message like this to the *stderr* file:

```
Server SHUTDOWN by request. The SQL Server is terminating
this process.
CT-LIBRARY error:
```

This is normal behavior. If the message indicates that Adaptive Server is waiting for processes to complete, and you must stop Adaptive Server immediately, you can use shutdown with `nowait` which neither waits for currently executing statements to finish, nor performs checkpoints in every database.

---

**Note** Using the shutdown with `nowait` command is not recommended; use it only when necessary.

---

## Stopping Backup Server

To shut down a Backup Server:

1 Use `isql` to log in to a server with System Administrator privileges.

2 Enter:

```
1> shutdown SYB_BACKUP
2> go
```

After you shut down a Backup Server, you must wait at least 30 seconds before restarting it.

Issuing the shutdown command prints a message similar to the following to the *stderr* file:

```
Backup Server: 3.48.1.1: The Backup Server will go down
immediately.
Terminating sessions.
```

This is normal behavior. If a message indicates that Adaptive Server or Backup Server is waiting for processes to complete, and you must stop Adaptive Server or Backup Server immediately, use shutdown with nowait, which neither waits for currently executing statements to finish, nor performs checkpoints in every database.

Using shutdown with nowait for Backup Server can cause inconsistent or incomplete dumps and loads. Use this command only when necessary.

For more information on the shutdown command, see the *Reference Manual*.

## Stopping Monitor Server

To release resources, you must shut down Monitor Server before you restart Adaptive Server. If Adaptive Server stops, make sure that Monitor Server is shut down before you restart Adaptive Server. Otherwise, Adaptive Server may not be able to allocate enough resources to restart.

If the Monitor Server heartbeat feature is in effect, Monitor Server automatically detects the termination of Adaptive Server within the specified period and shuts itself down. Therefore, before attempting to restart Adaptive Server after a shutdown, either wait for the automatic shutdown of Monitor Server to occur, or explicitly stop Monitor Server.

For more information on stopping Monitor Server, see the *Monitor Server User's Guide*.

## Using the kill command

---

**Warning!** Use the kill command to stop Adaptive Server and Backup Server only as a last resort.

---

When possible, use the Transact-SQL shutdown or shutdown with nowait command. Do not use kill with the -9 flag, because it exits the server without running a checkpoint to ensure that all database changes are written to the database device. Adaptive Server may also exit without removing associated shared memory files and network handlers.

Because Adaptive Server and Backup Server are background processes, they can be killed from the operating system by their owner or by “root” with the UNIX kill command. The syntax is:

`kill pid`

where *pid* is the process identification of any `dataserver` or `backupserver` process, as determined by the `showserver` command. Killing one engine for a particular Adaptive Server kills all engines for that server.

If more than one Adaptive Server is running on the same system, be careful that the engine you kill is associated with the correct Adaptive Server. If your Adaptive Server is configured to use multiple engines (CPUs), each engine has an associated operating system process. The correct way to kill a multi-engine server is to specify the process ID for engine 0.

This `showserver` output shows the processes for a four-engine server:

```
showserver
```

UID	PID	PPID	C	STIME	TTY	TIME	COMD
jorge	3320	1	80	10:31:40	pts/4	302:15	dataserver -dteamster
jorge	3321	3320	80	10:31:45	pts/4	324:47	dataserver -ONLINE:1
jorge	3322	3320	80	10:31:45	pts/4	326:02	dataserver -ONLINE:2
jorge	3323	3320	80	10:31:45	pts/4	328:56	dataserver -ONLINE:3

This example shows four running `dataserver` processes with operating system process identifications (PID) 3320, 3321, 3322, and 3323 (`dataserver` is the executable form of the Adaptive Server program.)

Child engine processes for the `dataserver` have the `-ONLINE:` argument.

Each child engine has a parent process identification (PPID) that is equal to the process identification (PID) of the parent. In the example above, the PID of the parent server is 3320. The other three engines spawned by the parent process have the same PPID.

If the PPIDs appear to be unrelated, and there is more than one `dataserver` process, then more than one Adaptive Server is running on the system.

## Shutdown and shared memory files

When Adaptive Server starts, it creates `SERVER_NAME.krg` file in `$SYBASE/$SYBASE_ASE` directory to store information about shared memory segments that it uses.

If Adaptive Server is configured with a memory size that is greater than the MAXSHMSEGSIZE parameter in the operating system then Adaptive Server may create additional shared memory segments and for every additional shared memory segment that it creates, an additional file with *SERVER\_NAME.srg[N]* (where *N* ranges from 0 – *N*), is created under *\$\$SYBASE/\$SYBASE\_ASE*.

When Adaptive Server is shut down in a normal manner, the shared memory files are automatically removed. If Adaptive Server crashes or is stopped with the kill -9 command, these files are not deleted. You need read and write permissions on these files to restart Adaptive Server after a crash or a kill -9 command, because Adaptive Server must be able to overwrite the previously created shared memory files.

If Adaptive Server or Backup Server is killed abnormally it also leaves shared memory segments. Use the ipcs and ipcrm commands to identify and remove these shared memory segments that have “NATTACH” count as “0”.

See the UNIX man pages for more information about ipcs and ipcrm.

## Huge pages on Linux p-series

The CPU-Cache translation lookaside buffer (TLB) stores information about conversions from an virtual page address to the physical page address, and every byte access to physical memory requires a conversion (called a “cache miss”). Although these cache misses are very expensive, you can improve the TLB hits is by enabling “huge pages” on Linux p-series machines.

Huge pages use fewer pages to cover the physical address space, so the size of “book keeping” (mapping from the virtual to the physical address) decreases, requiring fewer entries in the TLB and improving the system performance.

Adaptive Server version 15.0.3 and later allocates shared memory using huge pages by default. However, if the system does not have enough huge pages—or is not configured for huge pages,—Adaptive Server uses regular pages, and writes this message to the error log:

```
Could not allocate memory using Huge Pages. Allocated
using regular pages. For better performance, reboot the
server after configuring enough Huge Pages
```

Adaptive Server adjusts its shared memory up to the nearest multiple of 256MB. For example, if you configure Adaptive Server with 800MB of shared memory, it is rounded off to 1GB (some versions of Linux do not allow you to allocate huge pages if the size is not a multiple of Hugepagesize).

Before starting Adaptive Server, check `/proc/meminfo` to make sure Linux already has huge pages configured:

```
cat /proc/meminfo
....
HugePages_Total:    32
HugePages_Free:    32
Hugepagesize:      16384 kB
```

---

**Note** Memory you allocate for huge pages is used for the shared memory only. If you allocate too many huge pages, this may lead to Adaptive Server excessively swapping physical pages. You should only allocate the required number of huge pages.

---





# Configuring the Operating System

This chapter discusses the operating system configuration settings that you can adjust after installing or upgrading Adaptive Server. Unless stated otherwise, the information pertains to all supported UNIX platforms. The installer on Adaptive Server 15.0.3 and later lets you configure some Adaptive Server settings during the installation process. See the *Installation Guide* for more details.

Topic	Page
Verifying environment variables	33
Configuring new servers with <code>srvbuild</code> or <code>srvbuildres</code>	34
Using the <code>stty</code> setting	38
Restoring correct permissions	38
File descriptors and user connections	39
Enabling asynchronous disk I/O	43
Adjusting the client connection timeout period	45
Checking for hardware errors	47
Monitoring the use of operating system resources	48
A sample C shell maintenance script	50

## Verifying environment variables

You may want to verify that the Adaptive Server environment variables discussed in “Environment variables” on page 3 are set correctly.

To check the current value of environment variables, enter the following command at the operating system prompt:

```
env
```

## Configuring new servers with *srvbuild* or *srvbuildres*

Use *srvbuild* to configure a new server with default or user-specified values for key configuration attributes. Use *srvbuildres*, in non-GUI mode, to configure a new server using a resource file. For more information on *srvbuildres*, see the Utility Commands Reference chapter in the *Utility Guide*.

To configure new servers with *srvbuild*:

- 1 Source *SYBASE.csh* or *SYBASE.sh* file in *\$\$SYBASE* to setup the environment variables.
- 2 Run *\$\$SYBASE/\$SYBASE\_ASE/bin/srvbuild*.
- 3 The Select Servers to Build window displays. Choose the servers you want to configure by clicking the boxes on the left. When you select each of the boxes, the server name text field is enabled where you can enter the server name.

---

**Note** The list of “Server type” available for you to choose depends on what you have installed in *\$\$SYBASE*.

---

- 4 When you have selected the servers you want to build, click OK. The next screen or screens displays information depending on what you chose to configure.
- 5 On the Adaptive Server type screen, select the:
  - Adaptive Server Application type – Based on how you plan to use the new server, choose:
    - MIXED – for both OLTP and DSS.
    - OLTP – for online transaction processing. This is generally used for a high rate of smaller, less complex transactions.
    - DSS – for decision support systems. Generally these systems have less update activity with large complex queries.
  - Server page size – Depending on the Adaptive Server Application type, select:
    - 4K – for MIXED and OLTP
    - 8K – for DSS
  - Master device path
  - Master device size

- Master database size
- Sybssystemprocs device path
- Sybssystemprocs device size
- Sybssystemprocs database size
- Error log
- Transport type
- Host name
- Port number

In the Edit Advance Adaptive Server Attributes tab, enter:

- Adaptive Server configuration file
- Sybssystemdb device path
- Sybssystemdb device size
- Sybssystemdb database size
- Share memory file directory
- Default backup server
- tempdb information – Adaptive Server 15.0.3 ESD #1 and later versions create tempdb on a specified separate device. The default tempdb device and database size is 100MB. Specify these attributes for tempdb:
  - tempdb device path
  - tempdb device size
  - tempdb database size
- Enable PCI in Adaptive Server

If you enable PCI in Adaptive Server, also set:

- sybpcidb device path
- sybpcidb device size
- sybpcidb database size
- Optimize Adaptive Server configuration values:

After configuring a server, `srvbuild` prompts you for these values:

- Available physical memory for Adaptive Server
- Available CPU for Adaptive Server

When a new server is created using configuration tools, the default configuration that it is configured with may not optimally use all the resources available on the system. Input new values based on the system resource usage. If the value specified is larger than the available resource for allocation to the server then the optimization may fail, causing the server to not start. The current default input values for available physical memory and available CPU are 80% of the physical memory and CPU number.

---

**Note** The Adaptive Server 15.0.3 installer allows you to tune basic configuration settings during installation, instead of as a postinstallation task. See the *Installation Guide* for more details.

---

- 6 To configure Backup Server, in the Backup Server configuration screen, select the:
  - Error log
  - Tape configuration file
  - Language
  - Character set
  - Maximum number of network connections
  - Maximum number of server connections
  - Transport type
  - Host name
  - Port number
- 7 To configure Monitor Server, select the following information in the Monitor Server screen:
  - Maximum number of connections
  - Error log
  - Configuration file
  - Shared memory directory
  - Transport type

- Host name
  - Port number
- 8 In the XP Server type screen, select:
- Transport type
  - Host name
  - Port number
- 9 In the Full-Text Search SDS type screen, select:
- Error log
  - Collection directory
  - Default database
  - Language
  - Character set
  - Minimum number of sessions
  - Maximum number of sessions
  - Transport type
  - Host name
  - Port number
- 10 To configure Job Scheduler, enter the following information in the Job Scheduler type screen”
- Sybmgmtdb device path
  - Sybmgmtdb device size
  - Sybmgmtdb database size
  - Transport type
  - Host name
  - Port number
- 11 In the “Configure Self Management...” screen, you can enter:
- Enable Self Management
  - Self Management user name
  - Self Management user password

If you change the Self Management user password after configuring the Self Management, you need to rerun:

```
sp_addexternlogin loopback, <Self Management user
name>, <Self Management user name>, <new Self
Management user password>
```

- 12 Click **Build Servers!** to proceed with the servers configuration. `srvbuild` displays the configuration status as it builds the servers you selected.
- 13 After the server configuration completes, click **Exit** to quit `srvbuild`.

## Using the *stty* setting

Setting the `stty tostop` option causes a background Adaptive Server to stop as soon as it tries to write to the terminal. To avoid this error, execute the following command before starting Adaptive Server:

```
stty -tostop
```

If you are redirecting all Adaptive Server output to files, you do not have to change the `stty` setting.

## Restoring correct permissions

Sybase software files and directories are installed with the correct access permissions. If you notice that the permissions are no longer correct, you can restore the correct permissions with the script `setperm_all`, located in the `$$SYBASE/$SYBASE_ASE/install` directory.

## File descriptors and user connections

The number of user connections used by Adaptive Server cannot exceed the number of file descriptors available to Adaptive Server on the operating system. When configuring user connections on Adaptive Server, the System Administrator should take into account the number of file descriptors available per process. Although most of the open file descriptors are available for user connections, a few are used by Adaptive Server for opening files and devices.

### For HP-UX

The kernel parameters `maxfiles` and `maxfiles_lim` control the number of file descriptors available to any one process. The limit is 10,000 for HP-UX on a 32-bit system, and 60,000 on a 64-bit system.

To obtain the current values on the file descriptors use the Korn or Bourne shell `ulimit` command: `ulimit -n`

### For AIX

The number of file descriptors per process is determined by the operating system parameter `open_max`. The default value of `open_max` is 32767. Adaptive Server can use a maximum of 2000 file descriptors per engine, regardless of the value of `open_max`. For more information on setting `open_max`, see the AIX operating system documentation.

To obtain the current value of the `open_max` parameter, use the Korn or Bourne shell `ulimit` command:

```
ulimit -n
```

### For Linux

The number of file descriptors per process is limited to 10,000. You can set the number of file descriptors using `ulimit`.

## For Sun Solaris

For Sun Solaris, you can set both soft and hard limits for file descriptors. The soft limit can be increased up to the hard limit by the user, but the hard limit can be increased only by someone with “root” permissions. The soft limit determines the number of open file descriptors available to an Adaptive Server engine. The limit is 10,000.

Although most of the open file descriptors are available for user connections, a few are used by Adaptive Server engines for opening files and devices.

See the *System Administration Guide* for additional information on user connections.

## Displaying current soft and hard limits

To display the current soft limit, for C shells, enter:

```
limit descriptors
```

For Bourne shells, enter:

```
ulimit -n
```

To display the current hard limit for C shells, enter:

```
limit -h descriptors
```

For Bourne shells, enter:

```
ulimit -Hn
```

## Increasing the soft limit

To increase the soft limit for C shells, enter:

```
limit descriptors n
```

For Bourne shells, enter:

```
ulimit -Sn new_value
```



where *n* is the current value for the soft limit, and *new\_value* is the value to which you want to increase the soft limit.

---

**Note** You can use the preceding commands in your *RUN\_server\_name* file to increase the hard and soft limits. The *RUN\_server\_name* file is a Bourne shell script, be sure to use the Bourne shell versions of these commands in the *RUN\_server\_name* file.

---

## Increasing the hard limit

To increase the hard limit, use a program like the sample program shown in “Sample program” on page 42.

### ❖ Setting up the sample program to increase the hard limit

1 Create *file\_name.c* (where *file\_name* is the name you give the file), by using an ASCII text editor. Type the text shown in the sample in “Sample program” on page 42.

2 Compile the file:

```
cc file_name.c -o program_name
```

where *file\_name* is the name of the source file you created, and *program\_name* is the name you want to give the program.

3 Change the program’s permissions and ownership so that it will execute as “root”:

```
chmod 755 program_name  
chown root program_name
```

where *program\_name* is the name of the compiled program.

4 The “root” user can use the program to start Adaptive Server with increased user connections by typing the following command at the operating system prompt:

```
# program_name dataserver -d master_device_name
```

where *program\_name* is the name of the compiled program, and *master\_device\_name* is the full path of Adaptive Server’s master device. Instead of typing the command at the operating system prompt, you can add *program\_name* preceding the *dataserver* command line in the Adaptive Server *RUN\_server\_name* file.

## Sample program

---

**Note** This is an sample script; modify it as necessary.

---

The following example shows the source code that you can use to increase the hard limit:

```
#include <sys/time.h>
#include <sys/resource.h>
#include <sys/types.h>
/*
** define MAX_CONNECTIONS to a number less than
** 10000. The number defined will then become the maximum
** number of connections allowed by an Adaptive Server.
*/
#define MAX_CONNECTIONS 9999
extern int errno;

main(argc,argv)
char **argv;
{
    struct rlimit rlp;
    uid_t uid;

    rlp.rlim_cur = MAX_CONNECTIONS;
    rlp.rlim_max = MAX_CONNECTIONS;
    /* set the number of open file descriptors to
    MAX_CONNECTIONS */
    if (setrlimit (RLIMIT_NOFILE,&rlp) == -1)
    {
        perror("setrlimit");
        exit(1);
    }

    /* reset the user id to disable superuser
    privileges */
    uid = getuid();
    setuid(uid);
    /* run the program indicated as arguments to
    this program */
    execv(*++argv, argv);
}
```

For additional information on user connections, see the *System Administration Guide*.

## Enabling asynchronous disk I/O

Sybase recommends that you do not use block devices on UNIX and Linux systems. A system crash may lead to loss of data integrity if you use block devices as database devices.

HP-UX on Itanium

To verify that the async I/O is active on the Itanium machine:

- 1 Log in as root.
- 2 Issue the command:

```
# kcmodule -a | grep aync
```

Result: `asyncdsk static required`

or you can also use the following:

```
# ls /dev/asyn*
idev/async /dev/asyncdsk
```

HP-UX 11.23

It is mandatory for HP-UX users to enable asynchronous I/O.

To improve I/O performance on character or raw block devices, enable asynchronous I/O by installing the HP asynchronous I/O driver from SAM. For help with installing this driver, contact your operating system administrator or HP technical support.

---

**Note** Before executing the following instructions, shut down Adaptive Server (or SQL Server).

---

- 1 To launch the Kernel Configuration use `kcweb -F`.
- 2 Select Modules.
- 3 Select `asyncdsk` and change the next boot to static.
- 4 Rebuild the kernel, and reboot the system.
- 5 Execute the following commands using the `userid` root:

```
#!/etc/mknod/dev/async c 101 4
#chmod 0660/dev/async
#chown <uid> /dev/async
#!/etc/setprivgrp <grp> MLOCK
```

Where:

`<uid>` is the identification (user ID) used by the user that is booting Adaptive Server.

<ugrp> is the user group for the *sybase* userid.

- 6 At the UNIX prompt, execute the following statements as “root”. The user ID of the user who is starting Adaptive Server and Backup Server must be the owner of the */dev/async* directory.

HP-UX

It is mandatory for HP-UX users to enable asynchronous I/O.

To improve I/O performance on character or raw and block devices, enable asynchronous I/O by installing the HP asynchronous I/O driver from SAM. For help with installing this driver, contact your operating system administrator or HP technical support.

---

**Note** Before executing the following instructions, shut down Adaptive Server (or SQL Server).

---

To enable asynchronous I/O:

- 1 From the SAM Kernel Configuration menu, choose Drivers and set the Pending State for *asyndisk* to In by adding the driver.

An alternate step could be done by adding the *asyndsk* subsystem keyword to */stand/system*.

- 2 Rebuild the kernel, and reboot the system.
- 3 Execute the following commands using the userid root:

```
#/etc/mknod/dev/async c 101 4
#chmod 0660/dev/async
#chown <uid> /dev/async
#/etc/setprivgrp <ugrp> MLOCK
```

Where:

<uid> is the identification (user ID) used by the user that is booting Adaptive Server.

<ugrp> is the user group for the <uid> user ID.

- 4 At the UNIX prompt, execute the following statements as “root”. The user ID of the user who is starting Adaptive Server and Backup Server must be the owner of the */dev/async* directory.

For IBM AIX

Enable asynchronous disk I/O.

This step is mandatory for IBM users.

Enable asynchronous I/O by adjusting the kernel parameters, using the System Management Interface Tool (SMIT):

- 1 Enter “smit” at the UNIX prompt.
- 2 From the Devices menu, select Asynchronous I/O.
- 3 Select Change/Show Characteristics of Asynchronous I/O.
- 4 Enter the values from Table 3-1:

**Table 3-1: SMIT parameters for asynchronous I/O**

SMIT parameter	Values for RS/6000 AIX 4.3.3
<i>MINIMUM number of servers</i>	1
<i>MAXIMUM number of servers</i>	10
<i>MAXIMUM number of REQUESTS I/O</i>	4096
<i>Server PRIORITY</i>	39
<i>ASYNC I/O STATE</i> (to be configured at system restart)	Available

If your system uses more than seven disks at the same time for Asynchronous I/O, increase the *MAXIMUM number of servers* value by 1 for every active device.

**Note** Setting the minor device number on */dev/async* to 4 reduces or eliminates transient 605 errors in Adaptive Server.

If you are using LVM mirroring, set the minor device number to 0x0.

## Adjusting the client connection timeout period

Adaptive Server uses the *KEEPALIVE* option of the TCP/IP protocol to detect clients that are no longer active. When a connection to a client is inactive for a period of time (the *timeout period*), the operating system sends *KEEPALIVE* packets at regular intervals. If it does not receive a response from the client machine for any of these packets, the operating system notifies Adaptive Server that the client is no longer responding. Adaptive Server then terminates the client’s connection.

The *KEEPALIVE* default timeout period is 2 hours (7,200,000 ms). To display the current time value, use the command for your platform as shown in the following sections.

## For HP-UX

To display the current timeout period enter:

- On HP-UX 10.10 and 10.20

```
/usr/contrib/bin/nettune -l
```

---

**Note** The switch is a lowercase “L”, not the number one (1).

---

- On HP-UX 11 and later

```
/ndd -get/set /dev/tcp tcp_keepalive_interval
```

The `tcp_keepalive_interval` parameter specifies the length of time (measured in seconds) to keep an idle connection active before the system checks to see if the connection died.

To change the timeout period, use the `nettune -s` or `ndd -set` command.

## For IBM RS/6000

To display the current timeout value, enter:

```
/usr/sbin/no -o tcp_keepidle
```

The `tcp_keepidle` parameter specifies the length of time (measured in half seconds) to keep an idle connection active before the system checks to see if the connection died. The default is 14,400 half seconds (7200 seconds, or 2 hours).

IBM recommends a value of at least 15 minutes.

## For Sun Solaris

To display the timeout value, enter:

```
/usr/sbin/ndd -get /dev/tcp tcp_keepalive_interval
```

To reduce the timeout period to 15 minutes (900,000 ms.), enter:

```
/usr/sbin/ndd -set /dev/tcp tcp_keepalive_interval 900000
```

## For Linux

To display the timeout value, enter:

```
/sbin/sysctl -e net.ipv4.tcp_keepalive_time
```

To reduce the timeout period to 15 minutes (900 seconds,) enter:

```
/sbin/sysctl -w net.ipv4tcp_keepalive_time=900
```

## Checking for hardware errors

The following types of hardware error messages indicate problems that may lead to database corruption:

- Disk read, write, or retry errors
- Timeouts
- System panics
- Memory problems of any type

## For HP-UX

Check the */var/adm/syslog/syslog.log* file on a regular basis. You can view the file directly, or you can use the HP-UX `dmesg` command. See your operating system documentation for more information.

## For IBM RS/6000

The `errpt` command includes several options for limiting the report to events that match certain criteria. Use the `errpt` command on a regular basis. If errors appear, use the diagnostic tool `diag` to check your memory and disks. Or use the System Management Interface Tool (SMIT) to run the `errpt` command. This command may produce a lot of output.

## For Sun Solaris

Check the `/var/adm/messages` file on a regular basis. If any of the types of hardware errors described in the beginning of this section appear, use the Sun Microsystems diagnostic tool, `sundiag`, to check memory and disks. See the operating system documentation for more information.

## For Linux

Check the `/var/log/messages` file on a regular basis. See the operating system documentation for more information.

## Monitoring the use of operating system resources

The *System Administration Guide* discusses maintaining the optimal number of Adaptive Server engines for your workload and system configuration. To determine the optimal number, monitor system and CPU usage.

## For HP-UX

HP-UX supplies many tools to help monitor performance, some of which are described as follows:

- The `sar` command reports relative and absolute I/O throughput rates to each disk and controller.
- The `vmstat` command monitors virtual memory usage.
- The `netstat` command monitors network status.
- The `ps` command provides a snapshot of accumulated CPU time and usage for individual processes.
- The `time` command can be useful in determining the various user, system, and real-time resources used over a complete run.

For details about these tools, see your operating system documentation.



## For IBM RS/6000

IBM RS/6000 supplies the following tools for monitoring performance:

- The `iostat` command reports the amount of I/O on terminals and hard disks and how CPU time is spent.
- The `vmstat` command monitors virtual memory usage.
- The `netstat` command monitors network status.
  - `netstat -v` displays Transmit/Receive Statistics. It is also used to determine if enough buffers have been configured for network traffic.
  - `netstat -a` command displays current network options. It is also used for tuning mbuf pools.
- The `ps` command provides a snapshot of accumulated CPU time and usage for individual processes.
- The `time` command determines the various user, system, and real-time resources during a complete run.

For details about these tools, see your operating system documentation.

## For Sun Solaris and Linux

Sun Solaris and Linux supplies the following tools to help monitor performance:

- The `iostat` command reports the amount of I/O on terminals and hard disks and how CPU time is spent.
- The `vmstat` command monitors virtual memory usage.
- The `netstat` command monitors network status.
- The `ps` command gives you an accurate snapshot of accumulated CPU time and usage for individual processes. This can be very helpful in determining the `dataserver-`, `engine-`, and process-specific loading.
- The `time` command can be useful in determining the various user, system, and real-time resources used over a complete run.

For details about these tools, see your operating system documentation.

## A sample C shell maintenance script

Running dbcc checks and performing database backups protect the integrity and recoverability of your Adaptive Server databases. The following sample C shell script calls several isql scripts to help you do this:

```
#!/bin/csh -f
if ( -e dbcc_mail.out) then
    rm dbcc_mail.out
endif
foreach i (*.dbcc)
    isql -Usa -Ppassword < $i > dbcc_out
    if ( `grep -c 'Msg 25[0-9][0-9]' dbcc_out` ) then
        echo "There are errors in" $i >> dbcc_mail.out
        cat dbcc_out >> dbcc_mail.out
    else
        echo "Backing up " $i:r >> dbcc_mail.out
        isql -Usa -Ppassword < $i:r.backup
    endif
end
mail -s "Backup Report" jjones < dbcc_mail.out
```

The first set of scripts (one for each database with a file name appended with *.dbcc*) runs dbcc checkalloc and dbcc checkdb for each database and sends the messages to an output file called *dbcc\_out*.

For example, the script master.dbcc runs dbcc to check the master database:

```
dbcc checkalloc (master)
go
dbcc checkdb (master)
go
```

The C shell script then runs the grep command to find 2500-level error messages in the dbcc output. The results of the grep command go into an output file called *dbcc\_mail.out*.

Next, the script invokes an isql backup script for each database for which no 2500-level errors occurred and adds the “Backing up *database\_name*” line to *dbcc\_mail.out*. For example, the script master.backup backs up the master database:

```
use master
go
dump database master to master_dump
go
```

You may want to add appropriate dump transaction commands to your scripts.

If there are 2500-level error messages, the script does not back up the database. At the end of the script, *dbcc\_mail.out* is mailed to the System Administrator “jjones,” who then has a record of fatal dbcc errors and successful backups.

You can tailor the sample shell and isql scripts to suit the needs of your installation.

To have the scripts execute automatically, edit the *crontab* file, and add an entry similar to this:

```
00 02 * * * /usr/u/sybase/dbcc_ck 2>&1
```

This example executes a C shell script called *dbcc\_ck* every morning at 2:00 a.m.



# Adaptive Server Default Configuration

When you install or upgrade Adaptive Server, it includes some default parameter settings and a few of its auxiliary programs.

After installing and testing this “default” Adaptive Server, you must configure it to your system’s needs and install other optional features.

For information about configuring Adaptive Server, Backup Server, and Monitor Server see the *System Administration Guide*.

For information about configuring languages, character sets, and sort orders, as well as optional features, see the *System Administration Guide*.

Topic	Page
Default settings	53

## Default settings

After installation, Adaptive Server default settings are as listed in Table 4-1. You may need to configure these settings to suit your computer and database needs.

**Table 4-1: Defaults for Adaptive Server parameter settings**

Item	Default value
Name	<i>Servername</i>
Transport Type	TCP/IP
Port number	5000
Error log path	<i>\$SYBASE/\$SYBASE_ASE/install/servername.log</i>
Event logging	Not configured
International support (Localization)	
• Language	us_english

Item	Default value
• Character set	HP – Roman8 IBM – ISO 8859-1 Sun – ISO 8859-1 Linux – iso_1
• Sort order	Linux – Binary ordering
Login security mode	Standard

Table 4-2 lists the default settings for the Backup Server, Monitor Server, and XP Server. For more information about these servers, see “Introduction” on page 1.

**Table 4-2: Defaults for Backup, Monitor, and XP Servers**

Server	Item	Default value
Backup Server	Name	<i>AdaptiveServername_back</i>
	Network support	(TCP/IP)
	Socket number	5001
	Error log path	<i>\$\$SYBASE/\$\$SYBASE_ASE/install/AdaptiveServername_back.log</i>
Monitor Server	Name	<i>AdaptiveServername_mon</i>
	Network support	(TCP/IP)
	Socket number	5002
	Error log path	<i>\$\$SYBASE/\$\$SYBASE_ASE/install/AdaptiveServername_back.log</i>
XP Server	Name	<i>\$\$SYBASE/\$\$SYBASE_ASE/ADAPTIVESERVERNAME_XP</i>
	Network support	(TCP/IP)
	Socket number	5003
	Error log path	N/A

# Setting Up Communications Across the Network

Adaptive Server can communicate with other Adaptive Servers, Open Server applications, and client software across a network. Clients can communicate with one or more servers, and servers can communicate with other servers via remote procedure calls.

<b>Topic</b>	<b>Page</b>
How Adaptive Server determines which directory service entry to use	56
How a client uses directory services	57
Creating a directory services entry	57
Supported directory drivers	58
Contents of an interfaces file	58
Heterogeneous and homogeneous environments	59
Understanding the format of the interfaces file	61
Creating a master interfaces file	64
Configuring interfaces files for multiple networks	65
IPv6 support	69
Troubleshooting	72

Directory services contains information about the network locations of servers. Directory services contain entries for all Adaptive Servers, Backup Servers, and other server products on the network.

In the Sybase client/server environment, a client can connect with Adaptive Server if it knows where the server resides on the network and if the server supports the client's language or character set. When a client initiates a connection, it looks in its directory services for the network location of the target server.

Directory services list the name and address of every server, including Backup Server, Monitor Server, and XP Server. When you are using a client program, and you want to connect with a particular server, the client program looks up the server name in the directory services and connects to that server.

Servers also need network information. When a server starts up, it looks in its interfaces file to determine where to listen for client connection requests. In addition, Adaptive Server can take on a client role when it makes remote procedure calls to other Adaptive Servers.

Table 5-1 shows where to find more information on server and client interfaces file tasks and topics.

**Table 5-1: Where to find interfaces file tasks and topics**

Type of interfaces file	Task or topic	See
UNIX server or client	Adding entries for multiple Adaptive Server installations	Chapter 7, “Customizing Localization for Adaptive Server”
	Creating a master interfaces file for multiple installations	“Creating a master interfaces file” on page 64
	Configuring for multiple networks	“Configuring interfaces files for multiple networks” on page 65.
	Reference information	“Understanding the format of the interfaces file” on page 61.
PC-client	Configuring a client	<i>Installation Guide</i> for your platform
	Reference information and instructions for advanced tasks	<i>Open Client and Open Server Programmer’s Supplement</i> for your PC-client platform, or the appropriate Open Client documentation
Client platforms not listed	Configuring, reference information, and instructions for advanced tasks	<i>Open Client and Open Server Programmer’s Supplement</i> for your PC-client platform, or the appropriate Open Client documentation

## How Adaptive Server determines which directory service entry to use

Adaptive Server uses directory services to determine the address at which it should listen for clients. When you start Adaptive Server, it performs the following steps:

- 1 It looks for the server name supplied in the command line -s option. If the server name is not supplied in the command line:
- 2 It determines its own name by checking the value of the DSLISTEN environment variable. If the DSLISTEN environment variable is not set, then it assumes that the server name is SYBASE.



- 3 Looks in directory services for an entry whose name matches the name found in the steps above.
- 4 It uses the network information provided by the directory services entry it has found to listen for client connections.

## How a client uses directory services

When a client connects to a server it:

- Determines the name of the server either programmatically or by referring to the DSQUERY environment variable. If the application user has not set DSQUERY, the runtime value for the server name defaults to the SYBASE environment variable.
- Looks in directory services for an entry whose name matches the name of the server.
- Uses the network information provided by the directory services entry to connect to the server. If the client cannot connect the first time, it makes additional attempts according to the delay and retry numbers indicated in directory services. If no matching entry is found, an error message is written to the client's standard error file. If multiple networks are supported, the client attempts to connect using the information in the second network address entry for the server.

The Open Client documentation discusses client connections in much greater detail. See the *Open/Client Programmer's Supplement* for your client platform or the appropriate Open/Client documentation.

## Creating a directory services entry

The installation program, `srvbuild`, automatically creates a directory services entry for each server installation. You can also use the following Sybase utilities to edit the network information in directory services:

- `dsedit` – an X-Windows GUI utility.
- `dscp` – a UNIX command line utility.

For details on using these utilities, see the Adaptive Server *Utility Guide*.

## Supported directory drivers

There are three supported drivers:

- interfaces driver
- Lightweight Directory Services driver (LDAP)
- Cell Directory Service (CDS) provided by Distributed Computing Environment (DCE)

This remainder of this chapter describes the *interfaces* file and provides specific configuration information for each supported UNIX platform. For information about LDAP drivers, Cell Directory Services, and for a comparison between interfaces files and LDAP directory services, see the *Open Client/Server Configuration Guide* for your platform.

## Contents of an interfaces file

An interfaces file contains network information about all servers on your network, including Adaptive Server, Backup Server, and XP Server, plus any other server applications such as Monitor Server, Replication Server, and any other Open Server applications.

The network information in the file includes the server name, network name or address of the host machine, and the port, object, or socket number (depending on the network protocol) on which the server listens for queries. See “Understanding the format of the interfaces file” on page 61 for the specific makeup of the interfaces file entry.

Each entry in an interfaces file can contain two types of lines:

- Master lines, which are used by server applications to listen for queries over the network. This information is called a *listener service*.
- Query lines, which are used by client applications to connect to servers over the network. This information is called a *query service*.

The network information contained in the master and query lines for a server is identical because a server listens for connection requests on the same port that clients use to request connections.

A server needs both master and query lines in its *interfaces* file, since servers sometimes act as clients to other servers.

If your site has multiple installations

A client's *interfaces* file does not need a master line. It functions correctly with only a query line.

If you have more than one Adaptive Server installation, each server's *interfaces* file should contain information about all servers on the network.

If all of your server products are running on the same platform, you can create one master *interfaces* file and copy that file to each machine. For more information, see "Creating a master *interfaces* file" on page 64.

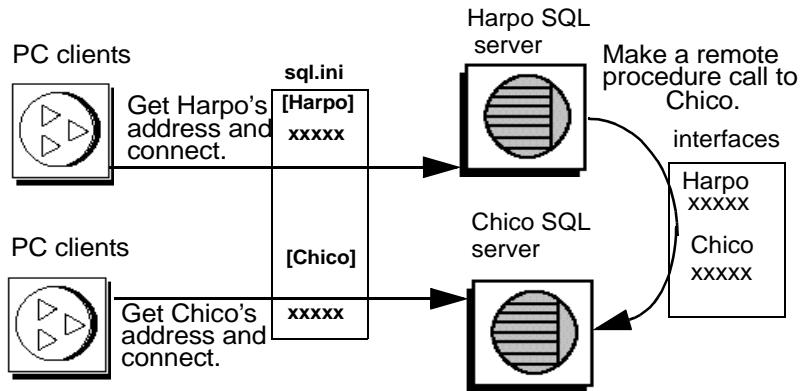
If the host machine supports multiple networks, see "Configuring *interfaces* files for multiple networks" on page 65.

## Heterogeneous and homogeneous environments

You can run Adaptive Server and clients on the same platform or on different platforms.

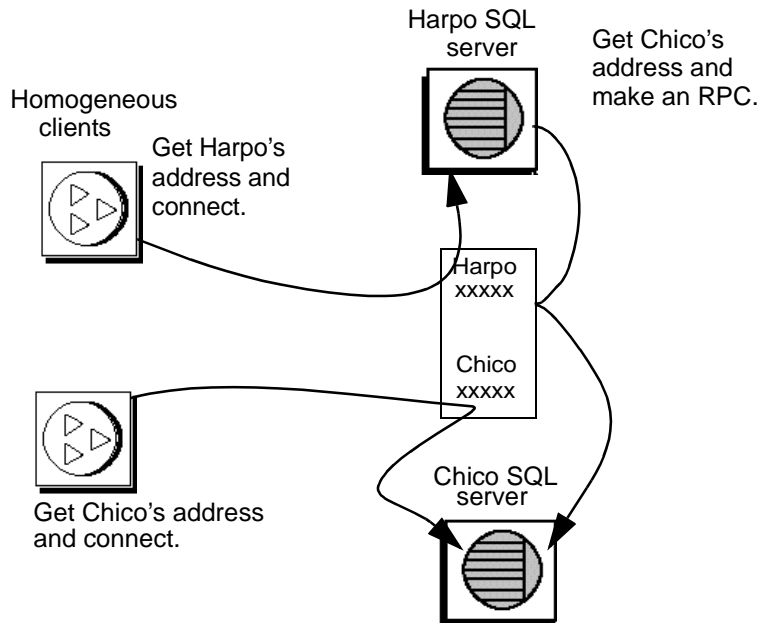
If the platforms are different, each platform may require a different format and configuration for its *interfaces* file. Figure 5-1 illustrates how a PC client uses network information in its *interfaces* file (*sql.ini*) to connect to Adaptive Server running under UNIX, and how Adaptive Server uses its *interfaces* file to connect to another server during a remote procedure call.

**Figure 5-1: Establishing network connections in a heterogeneous environment**



If both a client and a server are running under UNIX, the same interfaces file is valid for both. Figure 5-2 illustrates how clients and Adaptive Servers running in a homogeneous environment can use copies of the interfaces file to establish connections. Because the two Adaptive Servers are running under the same operating system, they can use the same interfaces file or exact copies of the same file.

**Figure 5-2: Establishing network connections in a homogeneous environment**



## Understanding the format of the *interfaces* file

The following rules apply to the format of interfaces file entries:

- Each Adaptive Server has only one entry, although there may be multiple lines in the entry.
- Each line that follows the *servername* line must begin with a space or a tab.
- Each element on the line must be separated by a single space.
- Each entry is separated by a blank line.
- You can add comments to an interfaces file by adding a pound sign (#) at the beginning of the line and a line break at the end.

There are two interfaces file entry formats, TLI and TCP.

A TLI style entry has this format:

```
servername retry_attempts delay_interval<newline>
<tab>service_type api protocol device address filter<newline>
<tab>ha_failover servername<newline>
```

For example:

```
harpo_server1
    master tli tcp /dev/tcp 0x0002333337f00001
    query tli tcp /dev/tcp 0x0002333337f00001
```

A TCP style entry has this format:

```
servername retry_attempts delay_interval<newline>
<tab>service_type protocol network machine port filter<newline>
<tab>ha_failover servername<newline>
```

For example:

```
chico_server1
    master tcp ether chico 5678 ssl
    query tcp ether chico 5678 ssl
```

## Components of an interfaces file entry

Table 5-2 describes the components of an interfaces file entry.

**Table 5-2: Components of an interfaces file**

Component	Value
<i>servername</i>	Name of Adaptive Server or Backup Server. Requirements for a server name are: <ul style="list-style-type: none"> <li>The name cannot be more than 30 characters long.</li> <li>The first character must be a letter (ASCII a through z, A through Z).</li> <li>The characters that follow must be letters, numbers, or underscores (_).</li> </ul>
<i>retry_attempts</i> (optional)	Number of times you want the client to try to connect to a server after initial failure. Default is 0.
<i>delay_interval</i> (optional)	Number of seconds between connection attempts. Default is 0.
<i>service_type</i>	Type of service defined by entry. Must be one of the following: <ul style="list-style-type: none"> <li>master</li> <li>query</li> </ul>
<i>api</i>	Application programming interface available to the network. The supported value is tli.

Component	Value
<i>protocol</i>	Name of the network protocol. Protocol types available are: <ul style="list-style-type: none"> <li>TCP/IP, represented by the letters “tcp”</li> </ul>
<i>network</i>	Name of the network; not currently used by Adaptive Server. <i>srvbuild</i> enters “ether” as a placeholder.
<i>host</i>	Network name or address of server’s host machine. <ul style="list-style-type: none"> <li>For TCP/IP, use either the host name or Internet address. Maximum size of entry is 32 bytes.</li> </ul> <p>To determine the host name of a machine, log in to that machine and enter:</p> <pre>/bin/hostname</pre>
<i>machine</i>	Network name or address of server’s host machine. <p>You can use either the host name or Internet address. Maximum size of entry is 32 bytes.</p> <p>To determine the host name of a machine, log in to that machine and enter:</p> <pre>/bin/hostname</pre>
<i>device</i>	The network device endpoint. <p>For TCP networks, the device varies according to the vendor supplying the networking software. Check the vendor-specific documentation for the name of the device. Your network may provide multiple stream devices corresponding to different protocols in the TCP protocol suite. Choose the TCP streams device. Common TCP streams devices is <i>/dev/tcp</i>.</p>
<i>address</i> for a TLI protocol entry	Address consists of: <ul style="list-style-type: none"> <li>Address prefix, “\x” for TLI.</li> <li>Network type, always 0002.</li> <li>Port number converted to four digits, hexadecimal. Must be a unique number between 1025 and 65535. Check the <i>/etc/services</i> file on each machine on the network to see what port numbers are in use. Enter the Adaptive Server port number in a new section of <i>/etc/services</i> labeled “Sybase specific services.” You do not have to make this entry for the operating system to function properly, but the presence of the port number in the file may prevent other users from using the port number.</li> <li>IP network node address of the host machine converted to 8 digits, hexadecimal.</li> <li>Trailing zeros, optional, 16 digits.</li> </ul>
<i>port</i>	A unique port number between 1025 and 65535. Check the <i>/etc/services</i> file on each machine on the network to see what port numbers are in use. Enter the Adaptive Server port number in a new section of <i>/etc/services</i> labeled “Sybase specific services.” You do not have to make this entry for the operating system to function properly, but the presence of the port number in the file may prevent other users from using that port number.
<i>ha_failover</i>	An entry created in directory services or the interfaces file for high availability.

Component	Value
<i>filter</i>	Adaptive Server supports Secure Socket Layers (SSL) as a filter which is appended to the master and query lines of the directory services. SSL is the standard for securing the transmission of sensitive information.

## Creating a master *interfaces* file

A master *interfaces* file contains entries for all Sybase servers on the network. It can be used with every server and client connected to the network. By distributing copies of a master *interfaces* file, you can ensure that all Sybase products on the network interact with one another.

Distributing copies of one interfaces file (a master file) with entries for all Adaptive Servers is the easiest way to maintain consistency in the interfaces files in a homogeneous environment on a network.

You can make all changes to one version of the file and then copy the updated master file to all appropriate Sybase directories.

You can make a master file in one of two ways:

- Using dsedit or dscp
- Using a text editor

## Using dsedit or dscp to create a master interfaces file

You can use the dsedit or dscp utility to create a master interfaces file, which you can then distribute to all servers. If you are not an experienced Sybase user, you may find that using dsedit or dscp is easier than using a text editor. Using dsedit or dscp also ensures that your interfaces file is consistent in format.

To create a master interfaces file with dsedit or dscp:

- 1 Select the interfaces file that contains the most complete, up-to-date information.
- 2 Begin a dsedit or dscp session in your latest Sybase installation to edit this interfaces file.
- 3 Add entries for any Adaptive Servers or Backup Servers that are not listed in this file.



For details on using these utilities, see the *Adaptive Server Utility Guide*.

## Using a text editor to create a master interfaces file

To construct a single master *interfaces* file from several individual interfaces files:

- 1 Concatenate the individual interfaces files.
- 2 Make a copy of the file.
- 3 Use an ASCII text editor to modify the copy of the concatenated file.

---

**Note** When you manually edit an *interfaces* file, be sure that, for each entry, each line following the first line begins with a <tab> character.

---

The following elements must be correct and unique in the resulting file:

- *servername* – each server entry in the *interfaces* file must be unique. During the *srvbuild* session, you had the choice of entering a server name or accepting the default server name, SYBASE, for those servers. If you accepted the default name, find any duplicate SYBASE entries in your merged file, and rename them.
- A combination of the host machine's network name or address and Adaptive Server's port or object number.
- If the original *interfaces* file was created when there was only one machine on the network, its entries may have the word "loghost" in place of the machine name (address). If *loghost* is present, replace it with the machine name.

## Configuring interfaces files for multiple networks

On some platforms, Adaptive Server can accommodate multiple networks. This allows Adaptive Server to listen for clients over multiple network interfaces. You must add an entry for each network interface to the *interfaces* file.

## Configuring the server for multiple network handlers

To configure multiple network listeners:

- 1 Define a unique host name for each network interface in your operating system's host database.
- 2 In your interfaces file, use a text editor to add copies of the “master” line for your Adaptive Server; one for each additional interface you want the server to listen on.
- 3 Include a unique host name on each line to configure a network handler for each network interface.
- 4 Port numbers within the interface need not be the same, but they can be. They fall under the same rules for naming and numeric range as the primary network interface.

## Sample interfaces files for multiple network handlers

The following example shows an interfaces file for an Adaptive Server with two network interfaces. The server host machine is known as SERV\_CORPNET on the corporate network and SERV\_ENGNET on the engineering network.

```
# PRODUCTION server with two network listeners
PRODUCTION<tab>3<tab>3<newline>
<tab>master tcp ether SERV_CORPNET 4559
<tab>master tcp ether SERV_ENGNET 5479
<tab>query tcp ether SERV_CORPNET 4559
```

When Adaptive Server restarts, it spawns a network handler process for each master line in the entry that corresponds to the server's DSLISTEN value. Connections made on each interface are handled equally, as peers.

## Configuring the client connections

When an Adaptive Server client scans the interfaces file for a server name, the client uses the first “query” entry it encounters for the server's entry. This makes configuring clients to use multiple network connections less straightforward than configuring the server ports. You have two choices:

- Use the same DSQUERY name for all clients. The interfaces files on the different machines contain different network names.

- Use different DSQUERY names for the clients. The interfaces files on all the machines are the same, but they contain multiple DSQUERY names.

## Using one network-independent DSQUERY name

If uniform client DSQUERY naming is important, you can make the necessary changes in the network addressing of the clients in the interfaces file. You can install separate Sybase installation directories and distinct interfaces files on client file servers on each network to allow users to connect to the correct network address. Instead of altering the DSQUERY name the clients use, you maintain one DSQUERY name for all clients, on all networks, and alter each network's interfaces file accordingly.

This method assumes that:

- You have complete control over what the Sybase installation clients see on each network.
- The interfaces file (at the very least) is *not* shared or copied among Sybase installations on different networks.

The interfaces file looks like the following example on the “engineering” network:

```
PRODUCTION<tab>3<tab>3<newline>
<tab>query tcp ether SERV_ENGNET 5470
<tab>master tcp ether SERV_CORPNET 4559
<tab>master tcp ether SERV_ENGNET 5479
```

The interfaces file looks like the following example on the “corporate” network:

```
PRODUCTION<tab>3<tab>3<newline>
<tab>query tcp ether SERV_CORPNET 4559
<tab>master tcp ether SERV_CORPNET 4559
<tab>master tcp ether SERV_ENGNET 5479
```

The “query” line in each file name is different, depending on the network to be used.

The full “master” entry is present in both files. This is allowed because only Adaptive Server will use the “master” lines. Assuming that the server host machine can see both networks (both host names are interchangeable), it does not matter which interfaces file is used for Adaptive Server start-up.

## Using different DSQUERY names

To use different DSQUERY names for each network listener:

- 1 Choose an additional server name.

You can concatenate the original server name and the network name. For example, if your server is named PRODUCTION, you could choose the names PRODUCTION\_network1 and PRODUCTION\_network2.

- 2 Do one of the following:

- For PC clients, use `sqledit` to create multiple `sql.ini` file entries for the server, one for each network. In the following example, you create one entry for PRODUCTION\_network 1 and one for PRODUCTION\_network2. For more information, see the Open Client documentation for your client platform.
- For UNIX clients, you can edit the `interfaces` files with an ASCII text editor. From the server's `interfaces` files, copy the server name line and the "master" line for each network into the client interfaces file. Add the appropriate server name for each entry, and change "master" to "query."

Clients on each network must use the DSQUERY value that corresponds to the network the client is on. In the following example, either PRODUCTION\_network1 or PRODUCTION\_network2 can be used.

```
# Client entry for PRODUCTION on network1
PRODUCTION_network1<tab>3<tab>3<newline>
<tab>query tcp ether serv_corpnet 4559
# Client entry for PRODUCTION on network2
PRODUCTION_network2<tab>3<tab>3<newline>
<tab>query tcp ether serv_engnet 5479
```

## Configuring for query port backup

Another use for multiple network interfaces is to provide a backup in case of network failure. If a client is connected to a server via two networks, the client can establish a connection via the second network if the first one goes down.

To configure Adaptive Server for query port backup:

- 1 Install multiple "master" and "query" lines in a server entry in the interfaces file.

- 2 Adaptive Server listens for connections at both ports. Clients looking for a host name and a port number for a connection to an Adaptive Server try the port on each “query” line in order, until they establish a connection.

The following example shows how to configure a backup network that will be used only if the normal connection fails. The primary network is “corporate network” and backup is “engineering network.”

```
# PRODUCTION server with two network listeners
PRODUCTION<tab>3<tab>3<newline>
<tab>master tcp ether SERV_CORPNET 4559
<tab>master tcp ether SERV_ENGNET 5479
<tab>query tcp ether SERV_CORPNET 4559
<tab>query tcp ether SERV_ENGNET 5479
```

- 3 Configure PC-client interfaces files with the appropriate multiple “query” entries, as described in the Open Client documentation. For client interfaces files in a homogeneous environment, you can copy the entire interfaces file entry for the Adaptive Server into the client interfaces file.
- 4 A connection on the secondary port occurs only if the corporate network is disabled, or if the corporate network interface on the host machine fails or is shut down due to a network-related failure.

## IPv6 support

Adaptive Server supports IPv6 technology.

IPv6 terminology:

- Link-local address – an IPv6 address that is usable only over a single link.
- Site-local address – an IPv6 address that can be used within a single site.
- Global address – an IPv6 address that can be used across the Internet.

Interfaces files also provide IPv6 support. An example *interfaces* file entry is:

```
RHAM0_10778_XP
  query tcp sun-ether fd77:55d:459d9:169:250:56ff:feb3:4246
19560
  master tcp sun-ether fd77:55d:59d9:169:250:56ff:feb3:4246
19560
```

IPv6 application types:

- IPv6-unaware – an application that cannot handle IPv6 addresses.
- IPv6-aware – an application that can communicate with nodes that do not have IPv4 addresses. In some cases, this might be transparent to the application, for instance when the API hides the content and format of the actual addresses.
- IPv6-enabled – an application that, in addition to being IPv6-aware, takes advantage of some IPv6 features.
- IPv6-required – an application that requires some IPv6 features and cannot operate over IPv4.

## IPv6 infrastructure

A dual-stack infrastructure implements both IPv4 and IPv6. This is the recommended infrastructure implementation for using Adaptive Server Enterprise as an IPv6-aware server.

Sybase applications are IPv6-aware. Table 5-3 lists the platform runtime requirements and the specific product and its release version:

**Table 5-3: IPv6 support**

<b>Platform</b>	<b>Adaptive Server IPv6 awareness</b>	<b>Open Client/Server IPv6 awareness</b>
Sun Solaris 8 32- and 64-bit	12.5.3a and 15.0	12.5 and 15.0
HP-UX 11i(v1) 32- and 64-bit	12.5.3a and 15.0	12.5 and 15.0
Microsoft Server 2003	12.5.3a and 15.0	12.5 and 15.0
Linux RHEL 3.0	15.0	12.5 and 15.0

Many Sybase products that are Open Client/Server based such as XP Server, Backup Server, Replication Server, and Open Switch became automatically IPv6-aware due to the layered Open Client Transport Control Layer (DB-Library-based) which is IPv6-aware for network-socket operations. Open Client products are not IPv6-aware.

For Adaptive Server Enterprise, being IPv6-aware is a complex issue because some third-party components within Adaptive Server are not yet IPv6-aware. The functional mechanisms of Adaptive Server Enterprise that are IPv6-aware with respect to the supported platforms and versions include:

- Connection handler

- RPC mechanisms
- Job Scheduler task / agent session connection
- Network Host API
- UDP message support for sybsendmsg
- Component Integration Services connectivity
- Host / name resolving
- XML URL connection handler
- Auditing for client address data

The following functional mechanisms in Adaptive Server Enterprise do not currently support IPv6, but are scheduled to do so in future versions:

- Java support
- License Management Server
- LDAP driver

---

**Note** By default, Adaptive Server is IPv6-unaware.

---

Before starting Adaptive Server for IPv6-aware operations, make sure that your infrastructure is correctly set up. Once your operating system is correctly configured, you can configure and enable an IPv6 connection handler by adding an additional DCL entry. A single Adaptive Server configuration can typically carry up to 32 connection handler assignments within the DCL.

For example, if you have a site-local setup with two domains administrated under the names:

sybase.com - being responsible for all IPv4 networking applications  
v6.sybase.com - being responsible for all IPv6 networking applications

The DCL entry named “SYBASE” on the host “revival” for port 17100 looks similar to:

```
SYBASE
master tcp ether revival.sybase.com 17100
query tcp ether revival.sybase.com 17100
master tcp ether revival.v6.sybase.com 17100
query tcp ether revival.v6.sybase.com 17100
```

In this example, when Adaptive Server is started with IPv6-awareness, it creates two connection handlers. One listens on port 17100 for incoming IPv4 client connection requests, and the other listens on port 17100 for incoming IPv6 client connection requests.

---

**Note** When you start Adaptive Server, set trace flag 7815 to capture and log IPv4 and IPv6 client address connection requests and host and name lookups.

---

## Troubleshooting

This section describes how to correct some common situations that may cause a server to not start.

### Server fails to start

If a server fails to start with the following message, the port number specified in the interfaces file may be in use:

```
00:00000:00002:2003/09/22 12:37:23.63 kernel  network name SERV_CORPNET, type
ether, port 4559, filter NONE
00:00000:00002:2003/09/22 12:37:23.65 kernel  ninit: bind, Address already in
use
00:00000:00002:2003/09/22 12:37:23.68 server  Error: 1602, Severity: 18, State:
2
00:00000:00002:2003/09/22 12:37:23.68 server  Unable to initialize network 0
00:00000:00002:2003/09/22 12:37:23.68 kernel  ninit: All master network
listeners have failed. Shutting down.
00:00000:00002:2003/09/22 12:37:23.68 kernel  ueshutdown: exiting
00:00000:00016:2003/09/22 16:11:35.46 server  SQL Server shutdown by request.
```

#### ❖ Investigating the port assignment

- 1 Look in the interfaces file to identify the port number assigned to the server.
- 2 Determine whether another process is using the same port number by entering:

```
netstat -a
```



If the port number is presented as a local address in the netstat output, you cannot use that port for the server. Another process is already using that port.

- 3 To verify that the server port is in use, start the server manually.

The server does not start if its assigned port number is already in use.

For information on starting servers manually, see the installation documentation for your platform and the Adaptive Server *Utility Guide*.

❖ **If a stale server process is retaining use of the port number**

- 1 Do one of the following:

- Use the operating system kill command to terminate the process.
- Use another port number for the server by modifying the interfaces file.

- 2 Start the server manually to confirm that the port number is available.

For information on starting servers manually, see the installation documentation for your platform and the *Utility Guide*.

## Error when executing an ESP

If you attempt to execute an ESP (extended stored procedure), you may see the following error:

```
00:00000:00008:1997/09/10 12:52:53.03 kernel XP Server failed to start. Try bringing up XP Server manually. Check SQL Server documentation for more information on how to bring XP Server up.
```

XP Server cannot start because the port number may be in use by another process. Use the netstat command described in the previous section to determine if the port number specified for XP Server is in use.

If you find no processes using the same port number:

- 1 Restart Adaptive Server.
- 2 Execute the ESP that you attempted earlier.

XP Server should start automatically.

If you find a process using the same port number, you can do one of the following:

- Change the interfaces file to use a new port number for the XP Server.

- Stop the process using the port number allotted to XP Server.

Restart Adaptive Server, and execute the ESP that you attempted earlier. XP Server should start automatically.

# Using the Lightweight Directory Access Protocol as a Directory Service

Adaptive Server uses directory services to establish client and RPC connections over the Internet. This chapter provides information about using LDAP directory services to establish connections. LDAP is a licensed feature of Adaptive Server.

Topic	Page
Overview	75
LDAP directory services versus the Sybase interfaces file	76
The libtcl*.cfg file	79
Enabling LDAP directory services	80
Adding a server to the directory services	82
Multiple directory services	83
Encrypting the password	84
Performance	84
Migrating from the interfaces file to LDAP	85

## Overview

**Lightweight Directory Access Protocol (LDAP)** is an industry standard for accessing directory services. Directory services allow components to look up information by a distinguished name (DN) from an LDAP server that stores and manages server, user, and software information that is used throughout the enterprise or over a network.

The LDAP server can be located on a different platform from the one on which Adaptive Server or the clients are running. LDAP defines the communication protocol and the contents of messages exchanged between clients and servers. Messages are operators, such as client requests for read, write and query, and server responses, including data-format information.

The LDAP server stores and retrieves information about:

- Adaptive Server, such as IP address, port number, and network protocol
- Security mechanisms and filters
- High availability companion server name

The LDAP server can be configured with these access restrictions:

- Anonymous authentication – all data is visible to any user.
- User name and password authentication – Adaptive Server uses the default user name and password for UNIX platforms:
  - `$$SYBASE/$SYBASE_OCS/config/libtcl.cfg` on 32-bit platforms
  - `$$SYBASE/$SYBASE_OCS/config/libtcl64.cfg` on 64-bit platforms

User name and password authentication properties establish and end a session connection to an LDAP server.

---

**Note** The user name and password that are passed to the LDAP server for user authentication purposes are distinct and different from those used to access Adaptive Server.

---

When an LDAP server is specified in the *libtcl.cfg* or *libtcl64.cfg* file (collectively the *libtcl\*.cfg* file), the server information is accessible only from the LDAP server. Adaptive Server ignores the interfaces file.

If multiple directory services are supported in a server, then the order in which they are searched is specified in *libtcl\*.cfg*. You cannot specify the search order with the `dataserver` command-line option. See “Multiple directory services” on page 83.

## LDAP directory services versus the Sybase interfaces file

The LDAP driver implements directory services for use with an LDAP server. LDAP directories are an infrastructure that provide:

- A network-based alternative to the traditional Sybase interfaces file

- A single, hierarchical view of information, including users, software, resources, networks, files, and so on

Table 6-1 highlights the differences between the Sybase interfaces file and an LDAP server.

**Table 6-1: interfaces file versus LDAP directory services**

<b>interfaces file</b>	<b>Directory services</b>
Platform-specific	Platform-independent
Specific to each Sybase installation	Centralized and hierarchical
Contains separate master and query entries	One entry for each server that is accessed by both clients and servers
Cannot store metadata about the server	Stores metadata about the server

LDAP directory services support more attributes than the Sybase interfaces file. These attributes can include server version, server status, and so on. See Table 6-2 for a list of attributes.

---

**Note** LDAP is only supported with reentrant libraries. You must use `isql_r`, instead of `isql`, when connecting to a server using LDAP directory services.

---

Table 6-2 lists the Sybase LDAP directory entries.

**Table 6-2: Sybase LDAP directory definitions**

<b>Attribute name</b>	<b>Value type</b>	<b>Description</b>
ditbase	<i>interfaces</i> file or <i>libtcl.cfg</i>	DIT base for object tree. If the <i>libtcl.cfg</i> file is specified, the <i>interfaces</i> file is ignored. The <i>libtcl.cfg</i> file can be overridden with <code>ct_con_prop()</code> for a specified connection.
dn	Character string	Distinguished name. Must be unique name that identifies the object.
sybaseVersion	Integer	Server version number.
sybaseServername	Character string	Server name.
sybaseService	Character string	Service type: Sybase Adaptive Server, or Sybase SQL Server.
sybaseStatus	Integer	Status: 1 = Active, 2 = Stopped, 3 = Failed, 4 = Unknown.

Attribute name	Value type	Description
sybaseAddress	String	Each server address includes: <ul style="list-style-type: none"> <li>• Protocol: TCP, NAMEPIPE, SPX DECNET (entry is case sensitive).</li> <li>• Address: any valid address for the protocol type.</li> </ul> <p><b>Note</b> dscp splits this attribute into Transport type and Transport address.</p>
sybaseSecurity (optional)	String	Security OID (object ID).
sybaseRetryCount	Integer	This attribute is mapped to CS_RETRY_COUNT, which specifies the number of times that ct_connect retries the sequence of network addresses associated with a server name.
sybaseRetryDelay	Integer	This attribute is mapped to CS_LOOP_DELAY, which specifies the delay, in seconds, that ct_connect waits before retrying the entire sequence of addresses.
sybaseHAServername (optional)	String	A secondary server for failover protection.

The traditional interfaces file with TCP connection and a failover machine looks like:

```
master tcp ether huey 5000
query tcp ether huey 5000
hafailover secondary
```

An example of an LDAP entry with TCP and a failover machine looks like:

```
dn: sybaseServername=foobar, dc=sybase,dc=com
objectClass: sybaseServer
sybaseVersion: 1500
sybaseServername: foobar
sybaseService: ASE
sybaseStatus: 4
sybaseAddress: TCP#1#foobar 5000
sybaseRetryCount: 12
sybaseRetryDelay: 30
sybaseHAServernam: secondary
```

All entries in the LDAP directory service are called entities. Each entity has a distinguished name (DN) and is stored in a hierarchical tree structure based on its DN. This tree is called the **directory information tree** (DIT). Client applications use a DIT base to specify where entities are stored. See “The libtcl\*.cfg file” on page 79.

In the example above, the entry describes an Adaptive Server named “foobar” listening on a TCP connection with a port number of 5000. This entry also specifies a retry count of 12 (times) and a retry delay of 30 (seconds). Once a client has found an address where a server responds, the login dialog between the client and the server begins.

You can find a complete list of the Sybase LDAP directory schema in UNIX in a file called *sybase.schema* in the directory *\$SYBASE/\$SYBASE\_OCS/config*.

In the same directory, there is also a file called *sybase-schema.conf*, which contains the same schema, but uses a Netscape-specific syntax.

Since LDAP supports multiple entries for each attribute, each address attribute must contain the address of a single server, including protocol, access type, and address. See *sybaseAddress* in Table 6-2.

For example, this is an LDAP entry for an Windows server listening on two addresses, with different connection protocols:

```
sybaseAddress = TCP#1#TOEJAM 4444
sybaseAddress = NAMEPIPE#1#\pipe\sybase\query
```

---

**Note** Each entry in the address field is separated by the # character.

---

You can edit these entries with *dsedit*. See “Adding a server to the directory services” on page 82.

To ensure cross-platform compatibility for all Sybase products, the protocol and address attribute fields should be in a platform- and product-independent format.

## The *libtcl\*.cfg* file

You use the *libtcl\*.cfg* file to specify the LDAP server name, port number, DIT base, user name, and password to authenticate the connection to an LDAP server.

The purpose of the *libtcl\*.cfg* file is to provide configuration information such as driver, directory, and security services for Open Client/Open Server and Open Client/Open Server-based applications. 32-bit utilities such as *dsedit* and *srvbuild*, look up the *libtcl.cfg*, while 64-bit applications use the *libtcl64.cfg* file for configuration information

You should edit both the *libtcl.cfg* and the *libtcl64.cfg* files to ensure compatibility between 32- and 64-bit applications.

The default *libtcl.cfg* file is located in *\$SYBASE/\$SYBASE\_OCS/config*.

If LDAP is specified in the *libtcl.cfg* file, the interfaces file is not used.

---

**Note** Open Client/Open Server applications that use the *-l* option at start-up override the *libtcl.cfg* file and use the interfaces file.

---

In its simplest form, the *libtcl.cfg* file is in this format:

```
[DIRECTORY]
ldap=libsybldap.dll  ldapurl
```

where the *ldapurl* is defined as:

```
ldap://host:port/ditbase
```

The following LDAP entry, using these same attributes, is an anonymous connection and only works only if the LDAP server allows read-only access.

```
ldap=libsybldap.dll  ldap://seashore/d=sybase,dc=com
```

You can specify a user name and password in the *libtcl.cfg* file as extensions to the LDAP URL to enable password authentication at connection time.

## Enabling LDAP directory services

To use a directory service, you must:

- 1 Install the “Security and directory services” license package ASE\_SECDIR.
- 2 Add the location of the LDAP libraries to the Unix load library path environment variable for your platform.
- 3 Configure the *libtcl.cfg* file to use directory services.

Use any standard ASCII text editor to:

- Remove the semicolon (;) comment markers from the beginning of the LDAP URL lines in the *libtcl.cfg* file under the *[DIRECTORY]* entry.



- Add the LDAP URL under the *[DIRECTORY]* entry. See Table 6-3 for supported LDAP URL values.

---

**Warning!** The LDAP URL must be on a single line.

---

```
libtcl.cfg
ldap=libsydblad.so ldap://host:port/ditbase??scope??bindname=username
password
```

```
libtcl64.cfg
ldap=libsydbldap64.so
ldap://host:port/ditbase??scope??bindname=username
password
```

For example:

```
[DIRECTORY]
ldap=libsydbldap.so ldap:///huey:11389/dc=sybase,dc=com??one??
bindname=cn=Manager,dc=sybase,dc=com secret
```

“one” indicates the scope of a search that retrieves entries one level below the DIT base.

Table 6-3 defines the keywords for the *ldapurl* variables.

**Table 6-3: *ldapurl* variables**

Keyword	Description	Default
<i>host</i> (required)	The host name or IP address of the machine running the LDAP server	None
<i>port</i>	The port number that the LDAP server is listening on	389
<i>ditbase</i> (required)	The default DIT base	None
<i>username</i>	Distinguished name (DN) of the user to authenticate	NULL (anonymous authentication)
<i>password</i>	Password of the user to be authenticated	NULL (anonymous authentication)

- 4 Verify that the appropriate environment variable points to the required third-party libraries. The Netscape LDAP SDK libraries are located in *\$SYBASE/\$SYBASE\_OCS/lib3p* or *lib3p64*. The Unix load library path environment variable must point to this directory.
- 5 Add your server entry to the LDAP server using *dscp* or *dsedit*. See “Adding a server to the directory services” on page 82.

## Adding a server to the directory services

---

**Warning!** Most LDAP servers have an `ldapadd` utility for adding directory entries. Sybase recommends you use `dsedit` instead since it has built-in semantic checks that generic tools do not provide.

---

Each server entry is made up of a set of attributes. When you add or modify a server entry, you are prompted for information about server attributes. Some attributes are provided by default, others require user input. When a default value is provided, it appears in brackets “[ ]”. See Table 6-2 for accepted values.

You can use `srvbuild` to add entries, but not modify or delete them.

❖ **Adding a server entry to the directory service using `dsedit`**

Before you can add, delete, or modify an LDAP server entry, you must add the LDAP URL to the `libtcl.cfg` file. See “The `libtcl*.cfg` file” on page 79.

Use `dsedit` to add a server to the directory service:

- 1 Source `SYBASE.csh` or `SYBASE.sh` to set the environment variables.
- 2 `cd` to `$$SYBASE/$$SYBASE_OCS/bin`.
- 3 Execute `dsedit`.
- 4 Select LDAP from the list of servers, and click OK.
- 5 Click Add New Server Entry.
- 6 Enter:
  - The server name – this is required.
  - The security mechanism – optional. This is the name of the high-availability failover server, if you have one.
- 7 Click Add New Network Transport and:
  - Select the transport type from the drop-down list.
  - Enter the host name.
  - Enter the port number
- 8 Click OK two times to edit `dsedit`.

To view the server entries, enter the following URL in Netscape  
`http://host:port/ditbase??one`.

For example:

```
ldap://huey:11389/dc=sybase,dc=com??one
```

---

**Note** Microsoft Internet Explorer does not recognize LDAP URLs.

---

For more information about dscp, see the *Open Client/Server Configuration Guide*, in the 11.1.x Generic Collection at <http://www.sybase.com/support/manuals>.

## Multiple directory services

Any type of LDAP service, whether it is an actual server or a gateway to other LDAP services, is called an LDAP server.

You can specify multiple directory services for high-availability failover protection. Not every directory service in the list needs to be an LDAP server.

For example:

```
[DIRECTORY]
```

```
ldap=libsydbladp.so ldap://test:389/dc=sybase,dc=com  
ldap=libsybdldap.so ldap://huey:11389/dc=sybase,dc=com
```

In this example, if the connection to *test:389* fails, the connection fails over to the DCE driver with the specified DIT base. If this also fails, a connection to the LDAP server on *huey:11389* is attempted. Different vendors employ different DIT base formats.

---

**Note** For more information, see the *Open Client Client-Library/C Programmer's Guide* and the *Open Client Client-Library/C Reference Manual* at <http://www.sybase.com/support/manuals>.

---

## Encrypting the password

Entries in the *libtcl.cfg* file are in human-readable format. Sybase provides a `pwdcrypt` utility for basic password encryption. `pwdcrypt` is a simple algorithm that, when applied to keyboard input, generates an encrypted value that can be substituted for the password. `pwdcrypt` is located in `$$SYBASE/$$SYBASE_OCS/bin`.

From the `$$SYBASE/$$SYBASE_OCS` directory, enter:

```
bin/pwdcrypt
```

Enter your password twice when prompted.

`pwdcrypt` generates an encrypted password. For example:

```
0x01312a775ab9d5c71f99f05f7712d2cded2i8d0ae1ce78868d0e8669313d1bc4c706
```

Copy and paste the encrypted password into the *libtcl.cfg* file using any standard ASCII-text editor. Before encryption, the file entry appears as:

```
ldap=libsybdldap.so
ldap://seashore/dc=sybase,dc=com??one??bindname=uid=Manager,dc=sybase,
dc=com?password
```

Replace the password with the encrypted string:

```
ldap=libsybdldap.so
ldap://seashore/dc=sybase,dc=com??one??bindname=uid=Manager,dc=sybase,dc=com?
0x01312a775ab9d5c71f99f05f7712d2cded2i8d0ae1ce78868d0e8669313d1bc4c706
```

---

**Warning!** Even if your password is encrypted, you should still protect it using file-system security.

---

## Performance

Performance when using an LDAP server may be slower than when using an interfaces file because the LDAP server requires time to make a network connection and retrieve data. Since this connection is made when Adaptive Server is started, changes in performance will be seen at login time, if at all. During normal system load, the delay should not be noticeable. During high system load with many connections, especially repeated connections with short duration, the overall performance difference of using an LDAP server versus the traditional interfaces file might be noticeable.

## Migrating from the *interfaces* file to LDAP

There is no direct method to upgrade an existing server using the *interfaces* file to one that uses lightweight directory services. To upgrade a previous release of Adaptive Server to Adaptive Server version 15.0, see the *Installation Guide for UNIX*.

Once you have upgraded the server, you can configure your server to use LDAP service.

- 1 Shut down the server. See Chapter 2, “Starting and Stopping Servers.”
- 2 Edit the `$$SYBASE/$$SYBASE_OCS/config/libtcl.cfg` or `libtcl64.cfg` file to add the directory service. See “Enabling LDAP directory services” on page 80.
- 3 Use `dsedit` and add the server entry to directory service. See “Adding a server to the directory services” on page 82.
- 4 Restart your server.



# Customizing Localization for Adaptive Server

This chapter provides information about Sybase localization support for international installations, including configuring languages, character sets, and sort order. For more information, see the *System Administration Guide*.

Topic	Page
Overview of localization support	87
Character set conversion	95
Sort orders	96
Language modules	99
Localization	100
Changing the localization configuration	103

## Overview of localization support

Localization is the process of setting up an application to run in a particular language or country environment, including translated system messages and correct formats for date, time, and currency. Adaptive Server supports localization for international customers and for customers with heterogeneous environments.

This support includes:

- Data processing support – Adaptive Server comes with character set and sort order definition files it uses to process the characters used in different languages.

Sybase provides support for the major languages in:

- Western Europe
- Eastern Europe
- Middle East

- Latin America
- Asia
- Translated system messages – Adaptive Server includes language modules for:
  - Brazilian Portuguese
  - Chinese (Simplified)
  - French
  - German
  - Japanese
  - Korean
  - Polish
  - Spanish
  - Thai
- Translated documentation – translated documentation is available in:
  - Chinese (Simplified)
  - French
  - German
  - Japanese
  - Korean

## Language modules

Adaptive Server stores its localized software messages in separate language modules.

When you install a language module, the installation program loads the messages, character set, and sort-order files that support the new language in the correct locations.

When you install Adaptive Server and Backup Server, system messages in English are installed by default.



## Default character sets for servers

The default character set is the character set in which data is encoded and stored on the Adaptive Server databases.

## Changing the default language and character set

---

**Warning!** Make all changes to the character set and sort order for a new Adaptive Server before creating any user databases or making any changes to the Sybase-supplied databases. Changing the character set and sort order after data or data structures have been added to Adaptive Server may require additional, time-consuming steps. To change the character set or sort order after you have added data, see the *System Administration Guide*.

---

After `srvbuild` configures a new Adaptive Server, it displays a message box asking if you want to localize your Adaptive Server to a language other than `us_english` and if you want to use a character set or sort order other than the default.

`srvbuild` creates an Adaptive Server with the following defaults:

- `us_english` language
- `iso_1` character set (on HP-UX platforms, use `Roman8`)
- Binary sort order

Valid language options depend on what language modules were unloaded from the distribution media onto your system.

All character sets are copied from the distribution media by default.

You can:

- Click **No** to accept the defaults.
- Click **Yes** to change the defaults.

The `sqlloc` menu is displayed. `sqlloc` is the GUI utility used to change default languages, character sets, and sort orders.

By default, when Adaptive Server and Backup Server are installed on IBM, and SUN Solaris systems, the installation installs the character set files for ISO 8859-1, which supports the Western European languages.

By default, when Adaptive Server and Backup Server are installed on HP systems, the installation installs the character set files for ROMAN8, which supports the Western European languages.

## Changing the default character set for servers

You can select any character set as the default on Adaptive Server, including character sets that are not the platform default character sets. Keep the following guidelines in mind when selecting a new default character set:

- To avoid conversion errors or overhead, determine the default character set based on the character set used by your clients.

For example, if most of your clients use ISO 8859-1, you can minimize the amount of data conversion that has to occur by specifying ISO 8859-1.

- If your server is operating in a heterogeneous language environment, choose a character set that works with all the character sets needed. Often, this is Unicode (UTF-8).

---

**Warning!** Make all changes to the default character set and sort order for a new Adaptive Server before creating any user databases or making any changes to the Sybase-supplied databases. Changing the character set and sort order after data or data structures have been added to Adaptive Server can cause incorrect behavior. To change the character set or sort order after you have added data, see the *System Administration Guide*.

---

## Supported character sets

The following language, scripts and character sets are supported by Adaptive Server:

- Arabic – see Table 7-1 on page 91.
- Baltic – see Table 7-2 on page 91.
- Chinese, Simplified – see Table 7-3 on page 92.
- Chinese, Traditional – see Table 7-4 on page 92
- Cyrillic – see Table 7-5 on page 92.
- Eastern European – see Table 7-6 on page 92.
- Greek – see Table 7-7 on page 93.

- Hebrew – see Table 7-8 on page 93.
- Japanese – see Table 7-9 on page 93.
- Korean – see Table 7-10 on page 93.
- Thai – see Table 7-11 on page 93.
- Turkish – see Table 7-12 on page 94.
- Unicode (which supports over 650 languages) – see Table 7-13 on page 94.
- Vietnamese – see Table 7-14 on page 94.
- Western European – see Table 7-15 on page 94.

The tables define each character set and indicate information on whether it requires Unilib conversion (Unilib Required column).

- Check mark (x) – the character set requires Unilib conversion.
- No check mark – the character set may use either the Unilib conversion or the built-in conversion.

For more information see “Character set conversion” on page 95.

Table 7-1 lists the Arabic character set:

**Table 7-1: Arabic character sets**

Character set	Unilib required	Description
cp864	X	PC Arabic
cp1256	X	Microsoft Windows Arabic
iso88596	X	ISO 8859-6 Latin/Arabic

Table 7-2 lists the Baltic character set:

**Table 7-2: Baltic character sets**

Character set	Unilib required	Description
cp1257	X	Microsoft Windows Baltic

Table 7-3 lists the simplified Chinese character set:

**Table 7-3: Simplified Chinese character sets**

Character set	Unilib required	Description
eucgb	X	EUC GB encoding = Simplified Chinese character sets
cp936	X	Microsoft Simplified Chinese character sets
gb18030	X	PRC 18030 standard

Table 7-4 lists the traditional Chinese character set:

**Table 7-4: Traditional Chinese character set**

Character set	Unilib required	Description
cp950	X	PC (Microsoft) Traditional Chinese
euccns	X	EUC CNS encoding = Traditional Chinese with extensions
big5	X	Big 5 Traditional Chinese
big5hk	X	Big 5 with HKSCS extensions

Table 7-5 lists the Cyrillic character set:

**Table 7-5: Cyrillic character sets**

Character set	Unilib required	Description
cp855		IBM PC Cyrillic
cp866		PC Russian
cp1251		Microsoft Windows 3.1 Cyrillic
iso88595		ISO 8859-5 Latin/Cyrillic
koi8		KOI-8 Cyrillic
kz1048		Kazakhstan Cyrillic

Table 7-6 lists the Eastern European character set:

**Table 7-6: Eastern European character sets**

Character set	Unilib required	Description
cp852		PC Eastern Europe
cp1250		Microsoft Windows 3.1 Eastern European
iso88592		ISO 8859-2 Latin-2

Table 7-7 lists the Greek character set:

**Table 7-7: Greek character sets**

Character set	Unilib required	Description
cp869		IBM PC Greek
cp1253		MS Windows Greek
greek8		HP GREEK8
iso88597		ISO 8859-7 Latin/Greek

Table 7-8 lists the Hebrew character set:

**Table 7-8: Hebrew character sets**

Character set	Unilib required	Description
cp1255	X	Microsoft Windows Hebrew
iso88598	X	ISO 8859-8 Hebrew

Table 7-9 lists the Japanese character set:

**Table 7-9: Japanese character sets**

Character set	Unilib required	Description
cp932	X	IBM J-DBCS:CP897 + CP301 (Shift-JIS)
ucjis		EUC-JIS encoding
sjis		Shift-JIS (no extensions)

Table 7-10 lists the Korean character set:

**Table 7-10: Korean character sets**

Character set	Unilib required	Description
eucksc	X	EUC KSC Korean encoding = CP949

Table 7-11 lists the Thai character set:

**Table 7-11: Thai client character sets**

Character set	Unilib required	Description
tis620	X	TIS-620 Thai standard
cp874	X	Microsoft Windows Thai

Table 7-12 lists the Turkish character set:

**Table 7-12: Turkish character sets**

Character set	Unilib required	Description
cp857		IBM PC Turkish
cp1254		Microsoft Windows Turkish
iso88599		ISO 8859-9 Latin-5 Turkish
turkish8		HP TURKISH8

Table 7-13 lists the Unicode character set:

**Table 7-13: Unicode character set**

Character set	Unilib required	Description
utf8	X	Unicode UTF-8 encoding

Table 7-14 lists the Vietnamese character set:

**Table 7-14: Vietnamese character set**

Character set	Unilib required	Description
cp1258	X	Microsoft Windows Vietnamese

Table 7-15 lists the Western European character set:

**Table 7-15: Western European character set**

Character set	Unilib required	Description
ascii8	X	US ASCII, with 8-bit data, ISO 646
cp437		IBM CP437 - U.S. code set
cp850		IBM CP850 - European code set
cp860	X	PC Portuguese
cp858	X	cp850 with Euro support
cp1252	X	Microsoft Windows US (ANSI)
iso_1		ISO 8859-1 Latin-1
roman8		HP ROMAN8
iso15	X	ISO 8859-15 Latin-1 with Euro support
roman9	X	HP ROMAN8 with Euro support

## Character set conversion

Backup Server passes messages to Adaptive Server in the client's language and in the Adaptive Server character set. Adaptive Server then converts the messages and issues them in the client's language and character set. Keep the following requirements in mind when selecting a character set:

- In a heterogeneous environment, Adaptive Server and Backup Server may need to communicate with clients running on different platforms and using different character sets. To maintain data integrity, the server converts the code between the character sets.
- To use the built-in conversion, you must install the character set definition files on the server for all the character sets being used by your clients. Built-in conversion support is available for many character sets.
- Unilib conversion support is available for all character sets supported by Sybase. To enable Unilib conversion, you must use `sp_configure` and turn enable unicode conversions on. For more information, see the *System Administration Guide*.

If either Adaptive Server or Backup Server does not support a client's language or character set, that server issues a warning message. Errors also occur when the Backup Server character set is not compatible with the Adaptive Server character set. By default, unicode conversion is enabled.

Character set conversion is supported only between character sets for the same language or between character sets in the same language group.

For example, automatic character set conversion is supported between the character sets for the Western European languages: ASCII 8, CP 437, CP 850, CP 860, CP 863, CP 1252, ISO 8859-1, ISO 8859-15, and ROMAN8. Similarly, conversion is supported between the character sets for Japanese: CP 932, EUC-JIS, Shift-JIS, and DEC-Kanji.

However, code conversion is not supported between any of the Western European language character sets and the Japanese character sets. For more information about supported conversions, see the *System Administration Guide*.

## Conversions between server and client

If Adaptive Server does not support the client's language or character set, the client can connect with the server, but no character conversions occur.

When a localized client application connects to Adaptive Server, the server checks to see if it supports the client's language and character set.

- If Adaptive Server supports the language, it automatically performs all character set conversions and displays its messages in the client's language and character set.
- If Adaptive Server does not support the language, it uses the user's default language or Adaptive Server's default language.
- If Adaptive Server does not support the character set, it issues a warning to the client, turns conversion off, and sets the language to U.S. English.

## Sort orders

Each character set comes with one or more sort orders (collating sequences), which are located in the sort-order definition files (.srt files). These files accompany the character set definition files and can be found in the same directory.

You can select a sort order for your data according to the needs at your site. However, the server can support only one sort order at a time, so select a sort order that will work for all of your clients.

---

**Warning!** Make all changes to the default character set and sort order for a new Adaptive Server before creating any user databases or making any changes to the Sybase-supplied databases. Changing the character set and sort order after data or data structures have been added to Adaptive Server may cause incorrect behavior. To change the character set or sort order after you have added data, see the *System Administration Guide*.

---

## Available sort orders

The sort order determines the collating sequence Adaptive Server uses to order, compare, and index character data. Each character set comes with one or more sort orders.



Sort orders are located in sort order definition files (.srt files) that accompany your character set definition files.

---

**Note** Available sort orders vary according to the character set installed on Adaptive Server.

---

You can see the available sort orders for your character set by looking in the .srt file for your language. Sort orders are stored in:

```
$SYBASE/charsets/<charset_name>/*.srt
```

For more information about localization files, see “Localization directories” on page 100.

Table 7-16 describes the sort orders that you can specify at installation time or at a later time using the sqlloc utility.

**Table 7-16: Sort orders available in Adaptive Server**

Sort order name	Description
Binary order	Sorts all data according to numeric byte values for that character set. Binary order sorts all ASCII uppercase letters before lowercase letters. Accented or ideographic (multibyte) characters sort in their respective standards order, which may be arbitrary. All character sets have binary order as the default. If binary order does not meet your needs, you can specify one of the other sort orders either at installation or at a later time by, using the sqlloc utility.
Dictionary order, case sensitive, accent sensitive	Case sensitive. Sorts each uppercase letter before its lowercase counterpart, including accented characters. Recognizes the various accented forms of a letter and sorts them after the associated unaccented letter.
Dictionary order, case insensitive, accent sensitive	Case-insensitive dictionary sort order. Uppercase letters are equivalent to their lowercase counterparts and are intermingled in sorting results.
Dictionary order, case insensitive, accent insensitive	Case-insensitive dictionary sort order. Diacritical marks are ignored.

Sort order name	Description
Dictionary order, case insensitive with preference	<p>Case-insensitive dictionary sort order, with case preference for collating purposes. A word written with uppercase letters is equivalent to the same word written with lowercase letters.</p> <p>Uppercase and lowercase letters are distinguished only when you use an order by clause. The order by clause sorts uppercase letters before it sorts lowercase.</p> <hr/> <p><b>Note</b> Do not select this sort order unless your installation requires that uppercase letters be sorted before lowercase letters in otherwise equivalent strings for order by clauses. Using this sort order may reduce performance in large tables when the columns specified in an order by clause match the key of the table's clustered index.</p>
Alternate dictionary order, case sensitive	<p>Case-sensitive alternate dictionary sort order with lowercase variants sorted before uppercase.</p> <p>Use with several of the Western European languages.</p>
Alternate dictionary order, case insensitive, accent insensitive	<p>Case-insensitive and accent-insensitive alternate dictionary sort order.</p> <p>Use with several of the Western European languages.</p>
Alternate dictionary order, case insensitive, uppercase preference	<p>Case-insensitive alternate dictionary sort order with uppercase preference.</p> <p>Use with several of the Western European languages.</p>
Spanish dictionary order, case sensitive	<p>Case-sensitive Spanish dictionary sort order.</p> <p>Use with Spanish and for most Latin American locales.</p>
Spanish dictionary order, case insensitive	<p>Spanish case-insensitive dictionary sort order.</p> <p>Use with Spanish and for most Latin American locales.</p>
Spanish dictionary order case insensitive, accent insensitive	<p>Spanish case-insensitive and accent-insensitive dictionary sort order.</p> <p>Use with Spanish and for most Latin American locales.</p>
Scandinavian dictionary order, case sensitive	<p>Case-sensitive dictionary sort order.</p> <p>Use with Scandinavian languages.</p>
Scandinavian dictionary order, case insensitive, uppercase preference	<p>Case-insensitive and accent-insensitive dictionary sorting, with uppercase preference.</p> <p>Use with Scandinavian languages.</p>

To see the sort orders that are available, use `sqlloc` to display the sort orders for the character sets you plan to use. For more information on unicode sort orders for `utf_8`, see Chapter 7, “Configuring Character Sets, Sort Orders, and Languages” in the *System Administration Guide*.

## Language modules

If you want Adaptive Server error messages to be displayed in a language other than U.S. English (us\_english), you must install the appropriate language module.

When you install a new language module, installation automatically loads the language into the Sybase installation directory to support the new language. For information about directories, see “Localization directories” on page 100.

## Installing a new language module

A full Adaptive Server installation includes all the language components automatically. If you did not select a full install, you must install additional language modules manually.

To install a new language module:

- 1 Load the language module software from the distribution media. You must load this software into the same directory in which you loaded Adaptive Server.
- 2 Reconfigure the language and, if necessary, the character set and sort order for Adaptive Server. For instructions, see “Changing the localization configuration” on page 103.

## Message languages

For messages, U.S. English is installed as the default language in Adaptive Server. The following rules apply to language modules:

- During Adaptive Server installation or reconfiguration, you can specify a default language other than U.S. English. However, you must have installed the language module for the language you specify.
- If your clients require Adaptive Server messages in a language other than U.S. English, you must load the language module for those languages. Then, you can configure Adaptive Server to the language used by your clients.
- If Adaptive Server does not support messages in a client’s language, these clients receive messages in the server default language.

For example, if your client’s language is Latin, the Spanish language module is installed, and Spanish is specified as the Adaptive Server default language, the client receives messages in Spanish.

## Localization

By default, the Adaptive Server and Backup Server configurations use the English locale settings, which include:

- Character set definition files for Western European character sets
- Sort-order definition files for Western European character sets
- U.S. English system message files

During the installation process or through reconfiguration, you can specify a different language, character set, and sort order.

## Localization directories

Sybase localization configuration involves the following directories:

- *locales*
- *charsets*

The table below illustrates the structure of the localization files. It does not show a complete list of all the files.

%SYBASE%\ or \$SYBASE/	<i>charsets</i>	<i>charset_name</i>	*.srt files
		<i>charset_name...</i>	<i>charset.loc</i>
		<i>unicode</i>	*.uct files
	<i>locales</i>	<i>language_name</i>	<i>charset_name</i>
		<i>language_name...</i>	<i>charset_name...</i>
		<i>locales.dat</i>	
<i>message</i>		<i>language_name</i>	
	<i>language_name...</i>		

## About the directory

The `$SYBASE/locales` directory contains a subdirectory for each available language. Each language subdirectory contains a subdirectory for each character set available with that language.

- The `.loc` files in these subdirectories enable Adaptive Server or Backup Server to report errors in a specific language, encoded in a specific character set.

There are a variety of `.loc` files in each subdirectory. Most of these files contain translated error messages for a specific product or utility.

- The `common.loc` file in the “utf8” subdirectory for each language contains localized information, such as local date, time, and currency formatting, that is used by all products.
- The `locales.dat` file contains entries that associate platform-specific locale names with Sybase language and character set combinations.

## About the *charsets* directory

The files in `$SYBASE/charsets/charset_name` contain information related to each particular character set, such as the definition of the character set and any sort orders available for that character set.

## About the *locales.dat* file

You can edit the `locales.dat` file to:

- Change the default language or character set for a platform, or
- Add new associations between platform locale names and Sybase language and character set names.

## Format of *locales.dat* file entries

Each entry in the `locales.dat` file links a platform-specific locale definition to a Sybase language and character set combination. Each entry has the following format:

```
locale = platform_locale, syb_language, syb_charset
```

where:

- *platform\_locale* is the platform-specific keyword for a locale. For acceptable values, see your operating system documentation.

When the locale being defined as the default for the site, *platform\_locale* is “default.”

- *syb\_language* is the name of the language directory to be used from within *\$\$SYBASE/locales/language\_name*.
- *syb\_charset* is the character set name that determines the character set conversion method and identifies the directory location of the message files for clients from within *\$\$SYBASE/locales/language\_name/charset\_name*.

For example, the following entry specifies that the default locale uses *us\_english* for the language and *iso\_1* for the character set:

```
locale = default, us_english, iso_1
```

## How client applications use *locales.dat*

Client applications use the *locales.dat* file to identify the language and character set to use. The connection process follows these steps:

- 1 When a client application starts, it checks the operating system locale setting and then checks the *locales.dat* file to see if that setting is appropriate for Adaptive Server. For example, a locale entry for French can look like the following:

```
locale = fr_FR, french, iso_1
```
- 2 When the client connects to Adaptive Server, the language and character set information is passed to Adaptive Server in the login record.
- 3 Adaptive Server then uses:
  - The character set information, for example, *iso\_1*, to identify the client’s character set and verify whether it can convert character data to this character set
  - The language (in the preceding example, French) and character set information to see if it has messages in the client’s language

---

**Note** Adaptive Server software includes some locale entries already defined in the *locales.dat* file. If these entries do not meet your needs, you can either modify them or add new locale entries.

---

## Editing the *locales.dat* file

Before beginning the edit, make a copy of the original file, in case you have problems with the resulting edited version.

To edit the *locales.dat* file:

- 1 Open the *locales.dat* file copy in a text editor.
- 2 Find the section enclosed in brackets:
  - For Sun Solaris, [*sun\_svr4*]
  - For HP, [*hp ux*]
  - For IBM, [*aix*]
- 3 Make sure the section contains an entry for the language (*syb\_language*) and character set (*syb\_charset*) combination that you want to use.

---

**Note** The value for *platform\_locale* must match the value required by your operating system. If the locales definitions in your system configuration files do not match the Sybase locale definitions, your applications will not run properly.

---

For example, if you want your Open Client messages to appear in French, and Adaptive Server is using the ROMAN8 character set, you would check the *locales.dat* entries for your platform and look for the following entry:

```
locale = fr_FR, french, roman8
```

- 4 Add the required entry or modify an existing entry.
- 5 Save the changes, if any, and exit the text editor.

## Changing the localization configuration

By default, the Adaptive Server and Backup Server configurations uses the English locale settings localization, which include:

- Character set definition files for Western European character sets
- Sort order definition files for Western European character sets
- us\_english system message files

During the installation process and through reconfiguration, you can specify a different language, character set, and sort order.

## Adaptive Server localization

Each language uses about 2MB of database space per module. If necessary, use the alter database command to increase the size of the master database before adding another language.

---

**Note** If you want to install more than one language on Adaptive Server, and the master database is not large enough to manage more than one language, the transaction log may become too full. You can expand the master database only on the master device. For more information, see the *System Administration Guide*.

---

- 1 Source *SYBASE.csh* or *SYBASE.sh* if you have not set up the Sybase environment variables.
- 2 To configure localization for Adaptive Server on the server, start sqlloc:  

```
    $SYBASE/$SYBASE_ASE/bin/sqlloc
```
- 3 Select Localize an Existing Server.
- 4 From the Adaptive Server selection window, select the server.
- 5 Supply the user name and password. The user must have “sa” privileges.
- 6 Next, supply the:
  - Default language
  - Default character set
  - Default sort order
- 7 Select any other languages you want to install. You may select only languages that are supported by the default character set.  

The Add and Remove Languages window lists all Sybase supported languages.
- 8 The Localization Summary window summarizes the configuration options you selected. Click OK to confirm your selections.  

The Status Output window notifies you upon completing the installation.



## Backup Server localization

You can change the Backup server language and character set by modifying the `RUN_<backup_server_name>` file. See the *Utility Guide* for more information on the `backupserver` command arguments.

## Configuring Adaptive Server for other character sets

To configure Adaptive Server with the character set and sort order for your language, complete the following steps. Your system messages appear in the default language, English.

- 1 Use the `charset` utility to load the default character set and sort order.

To use `charset`, the server must be running and you must have System Administrator privileges. Use the *file name* of the sort order:

```
$SYBASE/$SYBASE_ASE/bin/charset -Usa -Ppassword
-Sserver_name sort_order_file character_set
```

Replace *sort\_order\_file* with the name of the sort order file. See Table 7-17 on page 106. Replace *character\_set* with the Sybase name for your character set. See Table 7-18 on page 108.

- 2 Use `charset` utility to load any additional character sets. See “`charset` utility” on page 109 for more about this utility.

To use the Adaptive Server built-in character set conversions, you must load the character set definition files for all the characters set on your client platforms. If you are using the Unilib character set conversions, you do not need to do this.

- 3 Using `isql`, log in to your server as “sa” and select the master database.

```
1> use master
2> go
```

- 4 Use the ID of the sort order to configure your server for the new character set and sort order.

```
1> sp_configure "default sortorder_id",
2> sort_order_id, "character_set"
3> go
```

Replace *sort\_order\_id* with the ID for your sort order. See Table 7-17 on page 106. Replace *character\_set* with the Sybase name for your character set. See Table 7-18 on page 108.

- 5 Shut down the server to start the reconfiguration process.

- 6 Use your normal process on your UNIX system to reboot the server, usually by invoking one of the *RUN\_xxx* scripts from *\$SYBASE/\$SYBASE\_ASE/install*.
- 7 The server starts, rebuilds all the system indexes, then shuts down. Restart a second time to bring the server up in a stable state.

## Sort orders

Table 7-17 describes the available sort orders. If your language does not appear, then there is no language-specific sort order for your language—use a binary sort order.

**Table 7-17: Available sort orders**

Language or script	Sort orders	File name	ID
All languages	Binary order	<i>binary.srt</i>	50
Cyrillic	Dictionary order, case sensitive, accent sensitive	<i>cyrdict.srt</i>	63
	Dictionary order, case sensitive, accent sensitive	<i>cyrnoc.srt</i>	64
English	Dictionary order, case sensitive, accent sensitive	<i>dictiona.srt</i>	51
French	Dictionary order, case insensitive, accent sensitive	<i>nocase.srt</i>	52
German	Dictionary order, case insensitive, accent sensitive, with preference	<i>nocasepr.srt</i>	53
These sort orders work with all Western European character sets.	Dictionary order, case insensitive, accent insensitive	<i>noaccent.srt</i>	54
English	Alternate dictionary order, case sensitive	<i>altdict.srt</i>	45
French	Alternate dictionary order, case sensitive, accent insensitive	<i>altnoacc.srt</i>	39
German	Alternate dictionary order, case sensitive, with preference	<i>altnocsp.srt</i>	46
These sort orders work only with CP 850.			
Greek	Dictionary order, case sensitive, accent sensitive	<i>elldict.srt</i>	65
This sort order works only with ISO 8859-7.			
Hungarian	Dictionary order, case sensitive, accent sensitive	<i>hundict.srt</i>	69
These sort orders work only with ISO 8859-2.	Dictionary order, case insensitive, accent sensitive	<i>hunnoac.srt</i>	70
	Dictionary order, case insensitive, accent insensitive	<i>hunnoc.srt</i>	71
Russian	Dictionary order, case sensitive, accent sensitive	<i>rusdict.srt</i>	58
This sort order works with all Cyrillic character sets except for CP 855.	Dictionary order, case insensitive, accent sensitive	<i>rusnoc.srt</i>	59

Language or script	Sort orders	File name	ID
Scandinavian These sort orders work only with CP 850.	Dictionary order, case sensitive, accent sensitive	<i>scandict.srt</i>	47
	Dictionary order, case insensitive, with preference	<i>scannoop.srt</i>	48
Spanish	Dictionary order, case sensitive, accent sensitive	<i>espdict.srt</i>	55
	Dictionary order, case insensitive, accent sensitive	<i>espnocs.srt</i>	56
	Dictionary order, case insensitive, accent insensitive	<i>espnoac.srt</i>	57
Thai	Dictionary order	<i>dictionary.srt</i>	51
Turkish These sort orders work only with ISO 8859-9.	Dictionary order, case sensitive, accent sensitive	<i>turdict.srt</i>	72
	Dictionary order, case insensitive, accent insensitive	<i>turnoac.srt</i>	73
	Dictionary order, case insensitive, accent sensitive	<i>turnocs.srt</i>	74

## Character sets

Table 7-18 lists the supported character sets and their Sybase name.

**Table 7-18: Sybase character set names**

<b>Character sets</b>	<b>Sybase name</b>
ASCII 8	ascii_8
Big 5	big5
Big 5HK	big5hk
CP 437	cp437
CP 850	cp850
CP 852	cp852
CP 855	cp855
CP 857	cp857
CP 858	cp858
CP 860	cp860
CP 864	cp864
CP 866	cp866
CP 869	cp869
CP 874	cp874
CP 932	cp932
CP 936	cp936
CP 950	cp950
CP 1250	cp1250
CP 1251	cp1251
CP 1252	cp1252
CP 1253	cp1253
CP 1254	cp1254
CP 1255	cp1255
CP 1256	cp1256
CP 1257	cp1257
CP 1258	cp1258
DEC Kanji	deckanji
EUC-CNS	euccns
EUC-GB	eucgb
EUC-JIS	eucjis
EUC-KSC	eucksc
GB 18030	gb18030
GREEK8	greek8
ISO 8859-1	iso_1
ISO 8859-2	iso88592
ISO 8859-5	iso88595

Character sets	Sybase name
ISO 8859-6	iso88596
ISO 8859-7	iso88597
ISO 8859-8	iso88598
ISO 8859-9	iso88599
ISO 8859-15	iso15
Kazakhstan Cyrillic	kz1048
Koi8	koi8
ROMAN8	roman8
ROMAN9	roman9
Shift-JIS	sjis
TIS 620	tis620
TURKISH8	turkish8
UTF-8	utf8

## charset utility

Use the charset utility to load character sets and sort orders into Adaptive Server. If you are using charset to load the default character set and sort order, this should be done only at the time of installation.

To change the default character set and sort order of Adaptive Server, see the *System Administration Guide*.

```
Syntax          charset
                 [ -U username ]
                 [ -P password ]
                 [ -S server ]
                 [ -I interfaces ]
                 [ -v version ]
                 sort_order
                 [ charset ]
```

**Table 7-19: Keywords and options for charsets**

Keywords and options	Description
-U	If you are not already logged in to your operating system as “sa”, you must specify “-U sa” or “/username = sa” in the command line.
-P	Specifies the “sa” password on the command line. If not specified, the user is prompted for the “sa” password.

<b>Keywords and options</b>	<b>Description</b>
-S	Specifies the name of the server. If not specified, charset uses the DSQUERY environment variable to identify the server name. If there is no DSQUERY environment variable, charset attempts to connect to a server named "SYBASE."
-l	Specifies the interfaces file to use. If not specified, charset uses the interfaces file in the SYBASE directory.
-v	Causes the Sybase version string to be printed, then exits. Use with no other options specified.
<i>sort_order</i>	When charset is used to load the default character set and sort order, <i>sort_order</i> is a mandatory parameter specifying the name of the sort order file to be used by Adaptive Server. When loading additional character sets, use <i>charset.loc</i> to indicate the name of the character set files.
<i>charset</i>	Specifies the directory of the character set to be used by Adaptive Server.

# Logging Error Messages and Events

This chapter describes how to use the error logging features of Adaptive Server.

Topic	Page
Adaptive Server error logging	111
Setting error log paths	112
Managing messages	113

## Adaptive Server error logging

Each time Adaptive Server starts, it writes information to a local error log file, called the Adaptive Server error log:

*\$\$SYBASE/\$SYBASE\_ASE/install/server\_name.log*

This file:

- Stores information about the success or failure of each start-up attempt
- Logs error and informational messages generated by the server during its operations
- Remains open until you stop the server process
- Contains startup messages from Adaptive Server

If the error log become too large, you can:

- Dynamically change the path of the error log using `sp_errorlog`. Once the older errorlog is not being user by Adaptive Server, you can move it, and make space available.
- Stop the Adaptive Server and delete logged messages.

## Enabling and disabling error logging

Logging to the Adaptive Server error log is always enabled. However, when you create or modify a specific user-defined message, you can set it to be omitted from the log. See “Logging user-defined messages” on page 113.

## Setting error log paths

The installation program sets the error log location in the Sybase installation directory when you configure a new Adaptive Server. Backup Server and Monitor Server each have their own error logs.

The default location for each server’s error log is:

- Adaptive Server: `$$SYBASE/$$SYBASE_ASE/install/servername.log`
- Backup Server: `$$SYBASE/$$SYBASE_ASE/install/servername_back.log`
- Monitor Server: `$$SYBASE/$$SYBASE-ASE/install/servername_ms.log`

At start-up, you can reset the name and location of the Adaptive Server error log file from the command line. Use the `-e` start-up parameter and value in the `dataserver` command to start Adaptive Server.

---

**Note** Multiple Adaptive Servers cannot share the same error log. If you install multiple Adaptive Servers, specify a unique error log file name for each server.

---

## Setting the Adaptive Server error log path

You can change the error log path by editing the `$$SYBASE/$$SYBASE_ASE/install/RUN_server_name` file.

For example, to change the error log path from `$$SYBASE/$$SYBASE_ASE/bin/dataserver -d/Devices/ASE_2K.dat -sASE_2K -i/ASE_150 -e$$SYBASE/$$SYBASE_ASE/install/ASE_2K.log -M/ASE_150` to the `$$SYBASE` directory, type:

```
$$SYBASE/ASE-15_0/bin/dataserver -d/Devices/ASE_2K.dat  
-sASE_2K -i/ASE_150 -e$$SYBASE/ASE_2K.log -M/ASE_150
```

For information about using the `RUN_server_name` file, see “Starting and Stopping Servers” on page 19, and the *Utility Guide*.



## Managing messages

When event logging is enabled, you can manage its functions in the following ways:

- Use `sp_addmessage` to add a user message, or `sp_altermessage` to control whether a specific message is logged in the Adaptive Server error log.

For the complete syntax for `sp_addmessage` and `sp_altermessage`, see the *Reference Manual*.

- Use configuration parameters to specify whether auditing events are logged. Auditing events pertain to a user's success, `log audit logon success`, or failure, `log audit logon failure`, in logging in to Adaptive Server.

## Logging user-defined messages

You can specify whether a user-defined message is logged to the Adaptive Server error log. Adaptive Server lets you make this determination for:

- New messages (`sp_addmessage`).
- Existing messages (`sp_altermessage`).

For more information about these commands and their parameters, see `sp_addmessage` and `sp_altermessage` in the *Reference Manual*.

### New messages

Include the `with_log` option in `sp_addmessage` when you add a new user-defined message to `sysusermessages`. This parameter sets the Adaptive Server to log the message each time that the message appears.

### Existing messages

Include the `with_log` option in `sp_altermessage` to change an existing user-defined message. This parameter alters the reporting status of that message:

- `TRUE` – to enable logging.
- `FALSE` – to disable logging.

## Logging auditing events

By default, Adaptive Server does not log auditing events. However, you can use `sp_configure` parameters to specify whether Adaptive Server is to log auditing events, such as logins, to the Adaptive Server error log.

Possible parameters and values are:

- `log audit logon success` at 1 – to enable logging of successful Adaptive Server logins:

```
sp_configure "log audit logon success", 1
```

- `log audit logon failure` at 1 – to enable logging of unsuccessful Adaptive Server logins:

```
sp_configure "log audit logon failure", 1
```

- Either parameter at 0 – to disable logging of that message type:

```
sp_configure "log audit logon success", 0  
sp_configure "log audit logon failure", 0
```

For more information about `sp_configure`, see the *System Administration Guide*.

# Managing Adaptive Server Databases

The administration of Adaptive Server databases includes both routine tasks and performance and tuning considerations.

- The *System Administration Guide* discusses most of the administrative tasks in detail.
- The *Performance and Tuning Guide* provides in-depth explanations of performance issues.

Topic	Page
Managing database devices	115

## Managing database devices

The term **database device** refers to a disk or a portion of a disk that stores Adaptive Server databases and database objects.

### Device requirements

Adaptive Server devices and databases are subject to the following limits:

- The maximum device size is 4TB.
- The minimum usable device size depends on the servers logical page size. Databases manage space in groups of 256 logical pages, and the smallest specifiable disk piece size is 1MB, so the smallest usable device is the *larger* of 1MB or 256 logical pages:
  - The minimum device size for a 2K page server is 1MB
  - The minimum device size for a 4K page server is 1MB
  - The minimum device size for an 8K page server is 2MB

- The minimum device size for a 16K page server is 4MB
- The maximum number of database devices is 2,147,483,647. However, Adaptive Server must retain a description of each device in memory, so in practice this number is limited by your system's memory. Your operating system also limits how many devices one program can open simultaneously.
- A database can contain up to 2,147,483,648 logical pages, so its maximum size depends on its logical page size:
  - The maximum database size on a 2K page server is 4TB.
  - The maximum database size on a 4K page server is 8TB.
  - The maximum database size on an 8K page server is 16TB.
  - The maximum database size on a 16K page server is 32TB.
- The minimum database size is the size of the installation's model database.
- Each database is stored on one or more database devices, in one or more disk pieces. The maximum number of disk pieces in one database is 8,388,608. However, Adaptive Server must retain a description of all active databases, so in practice this number is also limited by your operating system memory.

---

**Note** By default, `srvbuild` creates the devices in `$$SYBASE/data` directory.

---

## Creating files for database devices

You can create new database devices using the `disk init` command. You can specify a raw partition or operating system file. When using a raw partition, you must specify the full path to the partition. When using an operating system file, you may use the full path or a relative path. Path names are relative to your server's current working directory.

Sybase recommends that you specify the full path to all database devices. Do not use environment variables when specifying path names with `disk init`.

Here is an example of creating a database device using `disk init`:

```
disk init name = "user_device1",  
physname = "/work/data/device1.dat",  
size = 2048
```

In this example, "size = 2048" tells the command to allocate 2048 "virtual" pages to the device. A virtual page is 2048 bytes, so this command creates a 4MB device.

The example command does not specify a device number, instead letting the server choose one. Unless you need to assign a specific number to a given device, Sybase recommends you use this method. If you do need an explicit device number, use the parameter "vdevno = N", where *N* is the device number you want to use. If you specify a device number, that number must not be in use by any other device on this server. Use `sp_helpdevice` to see what device numbers have already been used.

If you find that an existing database device is too small, use the `disk resize` command to make the device larger. This command takes the same "name" and "size" parameters as `disk init`, except the size parameter specifies how much larger you want the device to be.

`disk resize` allows you to dynamically increase the size of your database devices, rather than initializing a new device. You can use `disk resize` to increase the size for devices on raw partitions and file systems. The minimum increase on a device is 1MB or an allocation unit, whichever is greater.

---

**Note** Operating system constraints limit how much larger you can make any given device. For example, you cannot make a device on a UNIX raw partition larger if you have already allocated the full defined size of that partition.

---

For more information about `sp_helpdevice` and `disk init` command, see the *System Administration Guide* and the *Reference Manual*.

For more information about device files, see the *Performance and Tuning Guide*.



# Adding Optional Functionality to Adaptive Server

This chapter provides instructions for adding optional functionality to Adaptive Server:

Topic	Page
Adding auditing	119
Installing online help for Transact-SQL syntax	127

After you have installed the Sybase products on your system, see the product documentation for configuration and administration issues.

## Adding auditing

Auditing is an important part of security in a database management system. Security-related system activity is recorded in an audit trail, which can be used to detect penetration of the system and misuse of resources. By examining the audit trail, the System Security Officer can inspect patterns of access to objects in databases and can monitor the activity of specific users. Audit records can be traced to specific users, enabling the audit system to act as a deterrent to users who are attempting to misuse the system.

A System Security Officer manages the audit system and is the only user who can start and stop auditing, set up auditing options, and process audit data.

## Audit system devices and databases

The audit system includes several components. The main components are:

- The sybsecurity device and the sybsecurity database, which stores audit information

- The audit trail, which consists of several audit devices and tables that you determine at configuration time
- The syslogs transaction log device, which stores transaction logs

The sybsecurity device and database

The sybsecurity device stores the sybsecurity database. The sybsecurity database is created as part of the auditing configuration process. It contains all the system tables in the model database, as well as a system table for keeping track of server-wide auditing options and system tables for the audit trail.

Tables and devices for the audit trail

Adaptive Server stores the audit trail in system tables, named sysaudits\_01 through sysaudits\_08. At any given time, only *one* of the audit tables is *current*. Adaptive Server writes all audit data to the current audit table. A System Security Officer can use sp\_configure to set or change which audit table is current.

When you configure Adaptive Server for auditing, you determine the number of audit tables for your installation. You can specify up to eight system tables (sysaudits\_01 through sysaudits\_08). Plan to use at least two or three system tables for the audit trail and to put each system table on its own device, separate from the master device. If you do this, you can use a threshold procedure that archives the current audit table automatically, before it fills up and switches to a new, empty table for subsequent audit records.

Device for syslogs systems table

During auditing configuration, you must specify a separate device for the syslogs system table, which contains the transaction log. The syslogs table, which exists in every database, contains a log of transactions that are executed in the database.

## Overview of audit installation

There are two methods for installing auditing for the first time in Adaptive Server:

- Use the installsecurity script. For information, see the *System Administration Guide*.
- Use the auditinit utility. Tasks that you must perform before installing auditing and instructions on using the auditinit utility follow.



## Preinstallation tasks for auditing devices

Determine the location of the devices for the sybsecurity, syslogs, and sysaudits table devices. You will need to provide this information later.

Sybase recommends that you:

- Configure your system with the minimum number of auditing devices you require—you must configure at least three devices. You can add more auditing devices later with `sp_addauditable`. For information, see the *Reference Manual*.
- Install auditing tables and devices in a one-to-one ratio. Tables that share the same device will share the same upper threshold limit. These tables cannot be used sequentially when a device fills up, because they both reside on the same device.
- Install each auditing table on its own device. This enables you to set up a smoothly running auditing system with no loss of auditing records. With two auditing tables, when one fills up, you can switch to the other. With a third auditing table, if one device fails, the System Security Officer can install a new threshold procedure that changes the device rotation to skip the broken device until the device is repaired.
- Make the device larger than the table. When you use only three auditing tables and devices, the size of the table and the size of the device can be similar, because you can obtain more auditing capacity by adding more auditing tables and devices (up to eight). When you are working toward the upper table and device limit (six to eight), you may want to make the device considerably larger than the table. Then, you can expand the table size later towards the upper size of the device when a larger auditing capacity is desired, and few or no device additions are available.

If you are using a file system device, either set the `dsync` attribute on, or use the `directio` attribute with that device. For more information, see “Using UNIX operating system files as database devices” on page 8.

## Installing auditing

### ❖ Configuring Adaptive Server for auditing

- 1 Source `SYBASE.csh` or `SYBASE.sh` file if you have not setup the Sybase environment variables.
- 2 Start auditinit at the UNIX prompt:

```
$SYBASE/$SYBASE_ASE/install/auditinit
```

auditinit displays the following menu:

```
AUDITINIT
1. Release directory: /usr/u/sybase
2. Configure a Server product
```

- 3 Select Configure a Server Product.
- 4 Select Adaptive Server.
- 5 Select Configure an Existing Sybase Server.
- 6 Select the server to configure.
- 7 Provide the SA password for the server you selected.
- 8 From the Sybase Server Configuration screen, select Configure Auditing.

As you proceed through the menus in auditinit, you can change any default values that appear. As you finish each menu, press Ctrl+A to accept the defaults or changed values and move to the next menu.

```
CONFIGURE AUDITING
```

1. Configure auditing: no
2. Add a device for audit table(s)
3. Add a device for the audit database transaction log
4. Delete a device entry
5. Change a device entry

```
List of devices for the audit tables:
```

Logical name	Physical name	Segment name	Table name	Size
--------------	---------------	--------------	------------	------

```
Device for the audit database transaction log:
```

Logical name	Physical name	Segment name	Table name	Size
--------------	---------------	--------------	------------	------

- 9 From the Configure Auditing screen, select Configure Auditing.  
auditinit redisplays the Configure Auditing menu with the value “yes” displayed for Configure Auditing.
- 10 Restart Adaptive Server for the changes to take effect.

❖ **Creating a device for an audit table**

- 1 From the Configure Auditing screen, select Add a Device for Audit Table(s).

auditinit displays the following menu:

ADD/CHANGE A NEW DEVICE FOR AUDITING

1. sybsecurity physical device name:
2. Logical name of the device:
3. Size of the device (Meg):
4. Device size for auditing:

2 Select Sybsecurity Physical Device Name.

To create a device for an audit table:

- 1 Enter the *full path* of the physical device (file system or raw partition) that you located in “Preinstallation tasks for auditing devices” on page 121.

Enter the physical name of the device to use for the audit database (default is " "):

*/dev/path\_to\_partition*

where *path\_to\_partition* is the path to the raw partition or filename for the device.

2 Press Return to acknowledge the warning.

auditinit redisplay the Add/Change a New Device for Auditing menu, which displays the physical name of the device:

ADD/CHANGE A NEW DEVICE FOR AUDITING

1. sybsecurity physical device name: /secret1/sybase\_dr/install/aud1.dat
2. Logical name of the device:
3. Size of the device:
4. Device size for auditing:

3 Proceed through the remaining items on this menu.

---

**Note** The Size of the Device value must be equal to or greater than the Device Size for Auditing value. The Device Size for Auditing must be equal to the device size. If you are following Sybase auditing guidelines, you do not need to change the value displayed in Device Size for Auditing.

---

4 Press Ctrl+A to accept the settings. auditinit returns to the Configure Auditing menu and displays the device you have created.

CONFIGURE AUDITING

1. Configure auditing: yes
2. Add a device for audit table(s)
3. Add a device for the audit database transaction log
4. Delete a device entry
5. Change a device entry

List of devices for the audit tables:

Logical name	Physical name	Segment name	Table name	Size
6. Audit_01'	secret1/sybase_dr/install/aud1.dat'		sysaudits_01	5

5 To add multiple audit devices, repeat steps 1– 6.

You can add as many as eight devices. Sybase recommends adding three or more audit table devices.

After adding a device, auditinit returns to the Configure Auditing menu and displays all the devices you have created.

CONFIGURE AUDITING

1. Configure auditing: yes
2. Add a device for audit table(s)
3. Add a device for the audit database transaction log
4. Delete a device entry
5. Change a device entry

List of devices for the audit tables:

Logical name	Physical name	Segment name	Table	name	Size
6. Audit_01'	/secret1/sybase_dr/install/aud1.dat'		sysaudits_01		5
7. Audit_02'	/secret1/sybase_dr/install/aud2.dat'		sysaudits_02		5

❖ **Creating a device for the audit database transaction log**

- 1 From the Configure Auditing menu, select Add a Device for the Audit Database Transaction Log.

auditinit displays the Add/Change a New Device for Auditing menu.

ADD/CHANGE A NEW DEVICE FOR AUDITING

1. sybsecurity physical device name:
2. Logical name of the device:
3. Size of the new device (Meg):
4. Device size for auditing:

- 2 Select Sybsecurity Physical Device Name.

auditinit prompts for the physical name and supplies you with a default, if available:

Enter the physical name of the device to use for the sybsecurity database (default is''):

`/dev/path_to_partition`

where `path_to_partition` is the path to the raw partition for the device.

- 3 Enter the full path name of a physical device.
- 4 Press Return to acknowledge this warning.

`auditnit` displays the Add/Change a New Device for Auditing menu and the value you selected for the physical name of the device.

```
ADD/CHANGE A NEW DEVICE FOR AUDITING
1.sybsecurity physical device name:
   /secret1/sybase_dr/install/auditlog.dat
2.Logical name of the device:
3.Size of the device:
4.Device size for auditing:
```

- 5 Proceed through the remaining items on this menu. As you do so, be aware of the following:
  - Sybase recommends a minimum size of 2MB for the size of the transaction log.
  - `auditnit` displays the size in both Size of the Device and in Device Size for Auditing in the Add/Change a New Device for Auditing menu.
  - The Device Size for Auditing default value is equal to the size of the device, based on the assumption that you may want to devote the entire device to log for the auditing task. If you want to use only a subset of the device, you can edit the Size of the Device value.
- 6 Press Ctrl+A to accept the settings displayed in the Add/Change a New Device for Auditing menu.

`auditnit` returns to the Configure Auditing menu and displays all the devices you have created.

```
CONFIGURE AUDITING
1. Configure auditing: yes
2. Add a device for audit table(s)
3. Add a device for the audit database transaction log
4. Delete a device entry
5. Change a device entry
```

List of devices for the audit tables:

Logical name	Physical name	Segment name	Table
name	Size		
6. Audit_01'	/secret1/sybase_	dr/install/aud1.dat'	sysaudits_01 5

```
7. Audit_02' /secret1/sybase_dr/install/aud2.dat' sysaudits_02 5
8. auditlog /secret1/.../auditlog.dat logsegment syslogs 2
```

7 When you are ready to execute the audit configuration, press Ctrl+A. auditinit returns you to the Sybase Server Configuration screen.

8 Press Ctrl+A again. auditinit prompts with:

```
Execute the Sybase Server Configuration now?
```

9 Enter “y” (yes).

auditinit executes the tasks to install auditing. When the installation completes successfully, the following messages are displayed:

```
Running task: install auditing capabilities.
.....Done
Auditing capability installed.
Task succeeded: install auditing capabilities.
Configuration completed successfully.
Press <return> to continue.
```

#### Enabling auditing

After auditing is installed, no auditing occurs until a System Security Officer enables auditing using:

```
sp_configure 'auditing', 1
```

For more information, see the *System Administration Guide*.

#### ❖ Deleting a device entry

- 1 Select Delete a Device Entry from the Configure Auditing menu.
- 2 Enter the number of the device to delete.
- 3 Press return.

#### ❖ Changing a device entry

- 1 Select Change a Device Entry from the Configure Auditing menu.
- 2 Enter the number of the device to change.

auditinit displays the Add/Change a New Device for Auditing menu with information on the device you selected:

```
ADD/CHANGE A NEW DEVICE FOR AUDITING
1. sybsecurity physical device name:
    /secret1/sybase_dr/install/audlog
2. Logical name of the device: aud.log
3. size of the new device (Meg): 5
4. Device size for auditing:5
```

- 3 Select each remaining entry you want to change.
- 4 Press Ctrl+A to save the new entries.

## Installing online help for Transact-SQL syntax

This section provides instructions for installing online help for Transact-SQL syntax.

### Online syntax help: *sp\_syntax*

The `$$SYBASE/$SYBASE_ASE/scripts` directory contains scripts for installing the syntax help database, `sybsyntax`. You can retrieve this data with `sp_syntax`. For more information on `sp_syntax`, see the *Reference Manual*.

The `scripts` directory contains one or more of the `sp_syntax` scripts shown in Table 10-1, depending on which Sybase products are included with your server:

**Table 10-1: *sp\_syntax* installation scripts**

Script	Product
<code>ins_syn_cl</code>	Open Client Client-Library™
<code>ins_syn_esql</code>	Embedded SQL™
<code>ins_syn_os</code>	Open Server
<code>ins_syn_sql</code>	Transact-SQL

All Adaptive Server installations include the `ins_syn_sql` script. This script includes syntax information for Transact-SQL, the system procedures, and the Sybase utilities. When you execute this script, you install the SQL portion of the `sybsyntax` database.

You can install any of these scripts, depending on the need for Sybase information on your server. The first script you execute creates the sybsyntax database and the needed tables and indexes. Any scripts that you execute after the first one add to the existing information in the database. If you execute a script that was executed previously, the previously installed rows of information are deleted from the table in the database and then reinstalled.

---

**Warning!** The *ins\_syn\_cl* and *ins\_syn\_os* scripts conflict. If you execute both scripts, errors occur.

---

## Default device for the sybsyntax database

The sybsyntax database requires space on the device that is at least as large as the model database. By default, the sybsyntax installation scripts install the sybsyntax database on the device that is designated as the default database device.

If you have not used `sp_diskdefault` to change the status of the master device (which is installed as the default disk) or to specify another default device, the scripts install sybsyntax on the master device. Sybase does not recommend this configuration because sybsyntax uses valuable space, which is best left available for future expansion of the master database.

To avoid installing sybsyntax on the master device, do one of the following:

Use `sp_diskdefault` to specify a default device other than the master device. For information about `sp_diskdefault`, see the *Reference Manual*.

- Modify each sybsyntax installation script that you plan to execute to specify a different device, as explained in the following section.

## Installing sybsyntax

For each sybsyntax installation script you want to execute:

- 1 Determine the type (raw partition, logical volume, operating system file, and so on) and location of the device where you plan to store the sybsyntax database. You will need to provide this information later.
- 2 Make a copy of the original script. Be sure you can access this copy, in case you experience problems with the edited script.



- 3 Use a text editor to edit the script, if necessary, to change the default device from the master device to the device created in step 1. For information on the default device, see “Default device for the sybsyntax database” on page 128.

- Comment out the following section, which specifies the default device:

```

/* create the database, if it does not exist */
if not exists (select name from sysdatabases
where name = "sybsyntax")
begin
    /* create the sybsyntax table if it doesn't exist */
    /* is the space left on the default database
    devices > size of model? */
    if (select sum (high-low +1) from sysdevices where status
    & 1 = 1) - (select sum(size) from sysusages, sysdevices
    where vstart >= sysdevices.low
    and vstart <= sysdevices.high
    and sysdevices.status &1 = 1) >
    (select sum(sysusages.size) from sysusages
    where dbid = 3)
    begin
        create database sybsyntax
    end
    else
    begin
        print "There is not enough room on the default
        devices to create the sybsyntax database."
    return
    end
end
end

```

- After you have commented out this entire section, add a line like this to the script:

```
create database sybsyntax on device_name
```

where *device\_name* is the name of the device where you want to install sybsyntax.

- 4 Execute the script with a command like the following:

```
isql -Usa -Ppassword -Sservername <
$SYBASE/$SYBASE_ASE/scripts/ins_syn_sql
```

where *sa* is the user ID of the System Administrator, *password* is the System Administrator’s password, and *servername* is the Adaptive Server where you plan to install the database.

If you have set the DSQUERY environment variable to the *servername*, you can replace the server name with \$DSQUERY.

- 5 To ensure that you have installed the sybsyntax database and that it is working correctly, use isql to log in to the server on which you installed the database, and execute sp\_syntax. For example:

```
isql -Usa -Ppassword -Sservername
```

```
1> sp_syntax "select"  
2> go
```

Adaptive Server displays a list of commands that contain the word or word fragment “select.”

# Index

## Symbols

- ::= (BNF notation)
  - in SQL statements xiv
- , (comma)
  - in SQL statements xiv
- { } (curly braces)
  - in SQL statements xiv
- () (parentheses)
  - in SQL statements xiv
- [ ] (square brackets)
  - in SQL statements xiv

## A

- accented letters 14, 97
- Adaptive Server
  - character set, changing 89
  - character sets 95
  - client communications with 55
  - conversions between, and clients 95
  - customizing features 53
  - database device requirements 10
  - default character set 89
  - default configuration 53, 54
  - default sort order 89
  - error log path 112
  - language, changing 89
  - naming in interfaces file 62
  - shutting down 26
  - sort order 89
  - starting from UNIX command line 20
  - starting with operating system 22
  - start-up script 24
- adding a server, LDAP 82
- address component in interfaces files
  - TCP protocol entry 63
- administrator
  - operating system 3

- Sybase system 3
- API component in interfaces file
  - described 62
- Arabic character sets 91
- asynchronous I/O (AIO)
  - enabling 43, 44
  - HP driver 43, 44
- audit system 119
- audit trail
  - overview 119
  - system audit tables 120
- auditing
  - database for 120
  - device for 120
  - global options 120
  - installing using the auditinit utility 120
  - installing using the installsecurity script 120
  - process 120
  - recommended database device size 10
  - tables for tracking 120
- auditinit utility 7

## B

- Backup Server
  - character sets 95, 105
  - configuring 100, 103
  - default configuration 54
  - default, for Adaptive Server 54
  - starting from UNIX command line 20
  - starting with operating system 22
- Backus Naur Form (BNF) notation xiv
- binary sort order 97
- BNF notation in SQL statements xiv
- brackets. *See* square brackets [ ]
- buffer specifications 16

**C**

- case sensitivity
  - in SQL xv
- changing
  - character sets 89, 103
  - languages 103
  - sort order 103
- character devices
  - improving I/O performance on 43, 44
- character sets 95
  - accented letters in 14
  - changing 89, 90, 103
  - client selection of 90
  - code conversions and 95
  - configuring 105
  - converting between 95
  - databases and 96
  - default 89
  - in a heterogeneous environment 95
  - sort orders and 96
  - U.S. English 14
- charsets directory 97, 100
  - about the 101
- Chinese character sets 92
- client interfaces files
  - difference between client and server versions 58
  - heterogeneous 59
  - homogeneous 59
- clients
  - Adaptive Server communications with 55
  - applications and locales.dat file 102
  - conversion between, and server 95
  - default character set 90
  - DSQUERY and 67
  - file servers 67
- code conversion
  - between character sets 95
- collating sequences. *See* sort orders 96
- comma (,.)
  - in SQL statements xiv
- commands
  - disk init 11
  - iostat 49
  - maxfiles 39
  - maxfiles\_lim 39
  - netstat 48, 49
  - netstat -v 49
  - no -a 49
  - ps 48, 49
  - sar 48
  - setenv 33
  - setperm\_all 38
  - time 48, 49
  - vmstat 48, 49
- common.loc file 101
- communications between client and Adaptive Server 55
- configurations, default 54
- configuring
  - Backup Server 100, 103
  - character sets 105
- conventions
  - See also* syntax
  - in this book xvi
  - Transact-SQL syntax xiv
- conversions, Unicode character 91
- converting between character sets 95
- create database command, system tables created by 5
  - creating
    - interfaces files 57, 65
    - interfaces files automatically 56
    - interfaces files for beginners 64
    - master interfaces files with dscp utility 64
    - master interfaces files with dsedit 64
    - master interfaces files with text editor 64
  - curly braces ({} ) in SQL statements xiv
  - customizing installations 53
  - Cyrillic character sets 92

**D**

- data translation 87
- database devices
  - master 5
  - preparing raw partitions for 11
  - sybsyntax 128
  - sybssystemdb 5
  - sysprocsdev 5, 6
- databases 96
  - dbccdb 8
  - devices 115

- master 5, 6
  - model 5
  - pcidb 7
  - sample 7
  - sizes of 14
  - specifications 14
  - sybsecurity 7
  - sybserverprocs 6, 14
  - tempdb 5
  - dataserver utility 29
  - dbcc checkstorage, database for 8
  - dbcc error messages 50
  - dbccdb database 8
  - debug service type 62
  - Dec-Kanji character set 95
  - default
    - character set for Adaptive Server 89
    - character set, changing 89
    - character sets installed by 89
    - language for Adaptive Server 89
    - language, changing 89
    - sort order 89
  - delay\_interval component in interfaces files 62
  - device component in interfaces files 63
  - devices
    - files 115
  - dictionary sort orders 97
    - Scandinavian 98
    - Spanish 98
  - directio 9
  - directories xvi
    - charsets 97, 101
    - localization 100
    - run control 24
  - directory schema, LDAP 79
  - disk init command 11
  - displaying current file descriptors 38
  - documentation
    - Adaptive Server translated 88
  - dscp utility 13
    - creating master interfaces files with 64
  - dsedit
    - adding an LDAP server 82
  - dsedit utility 13
    - creating master interfaces files with 64
  - DSLISTEN environment variable 3
  - DSQUERY environment variable 4
    - client connections and 67
    - described 57
    - multiple networks, using different values 68
    - naming in 67
- ## E
- enabling asynchronous I/O 43, 44
  - environment variables
    - DSLISTEN 3
    - DSQUERY 4, 57, 67
    - LD\_LIBRARY\_PATH 4
    - LD\_LIBRARY\_PATH64 4
    - LIBPATH 4, 5
    - PATH 4
    - SYBASE 4
    - SYBASE\_ASE 4
    - SYBASE\_FTS 4
    - SYBASE\_OCS 4
    - SYBASE\_SYSAM 4
  - error log paths 53, 112
    - configuring 112
  - error logging
    - configuring 112
  - errors in dbcc messages 50
  - ESPs. See extended stored procedures (ESPs)
  - /etc/services file 63
  - ether placeholder in interfaces files 63
  - EUC-JIS character set 95
  - extended stored procedures (ESPs) 2
- ## F
- file descriptors
    - displaying current 38
  - file servers 67
  - files
    - common.loc 101
    - device files 115
    - locales.dat 101
    - localization 88
    - localized error messages (.loc) 101
    - runserver 21

## Index

- shared memory 29
- sort order definition (.srt) files 96
- formatting for local date, time, and currency 101
- French sample database 7

## G

- German sample database 7
- globalization support, Sybase 53, 87, 100, 103
- Greek character sets 93

## H

- hardware error messages 47
  - IBM RS/6000 47
  - UNIX 47
- Hebrew character sets 93
- heterogeneous environments 90, 95
  - described 59
  - interfaces files and 59
- homogeneous environments
  - described 59
  - interfaces files and 59
- host component in interfaces files 63
- host name
  - determining 63
- HP-UX
  - netstat command 48
  - network protocol 63
  - ps command 48
  - sar command 48
  - time command 48
  - timeout period 46
  - vmstat command 48

## I

- I/O monitoring 48
- IBM RS/6000
  - hardware error messages 47
  - iostat command 49
  - monitoring systems 48
  - netstat command 49

- netstat -v command 49
- network protocol 63
- no -a command 49
- ps command 49
- time command 49
- timeout period 46
- vmstat command 49
- installation directory, Sybase xvi
- interfaces file 12
- interfaces files
  - Adaptive Server, naming in 62
  - Adaptive Server, used by 59
  - address component for SPX 63
  - API component in 62
  - automatic creation of 56
  - client and server versions, differences in 58
  - clients, used by 55
  - contents of 57
  - creating automatically 56
  - creating master files with dscp 64
  - creating master files with dsedit 64
  - creating master files with text editor 64
  - creating, for beginners 64
  - debug service type 62
  - default location 56
  - delay\_interval component 62
  - described 55
  - device component 63
  - ether placeholder 63
  - heterogeneous environments and 57
  - homogeneous environments and 57
  - host component 63
  - location 56
  - loghost placeholder 65
  - machine component 63
  - master service type 62
  - multiple network listeners 66
  - multiple networks 57, 65
  - network component 63
  - port component 63
  - protocol component 63
  - query port backup configuration 68
  - query service type 62
  - retry\_attempt component 62
  - servername component 62
  - service\_type component 62

- spaces in 61
- tab characters in 61
- unique elements in entries 65
- used by clients 57
- international systems
  - support for 87
  - Sybase support for 87
- interpubs sample database 7
- iostat command
  - IBM RS/6000 49
  - Sun Solaris 49
- iso-Latin1 character set 89

## J

- Japanese sample database 7
- jpubs sample database 7

## K

- KEEPALIVE option, TCP/IP 45
- kill command 28, 30
- Korean character sets 93

## L

- language modules 99
  - default 53
  - installing new 99
  - localization files 88
  - memory requirements for 104
  - translated system messages 88
- languages
  - changing 103
  - error reporting in specific 101
  - selecting message 99
  - translation support 87
- Latin character sets 92
- LD\_LIBRARY\_PATH environment variable 4
- LD\_LIBRARY\_PATH64 environment variable 4
- LDAP
  - access restrictions 76
  - adding a server 82

- defined 75
- directory definitions 77
- directory schema 79
- enabling 80
- multiple directory services 83
- sample entry 78
- specifying in libtcl.cfg 79
- versus the interfaces file 76
- LDAP libraries
  - environment variables 81
  - location of 81
- LDAP server
  - using dsedit to add and modify 82
- ldapurl
  - defined 80
  - example 80
  - keywords 81
- letter case in sort orders 97
- LIBPATH environment variable 4, 5
- libtcl\*.cfg file 79
  - format of 80
  - location of 80
  - purpose of 79
- libtcl\*cfg
  - password 84
- limits for file descriptors 40
- listener service 58
- loc files 101
- local date, time, and currency formatting 101
- locales directory 100
- locales.dat file 101
- localization 87
  - changing the configuration 103
  - common, information 101
- localization support 53
- loghost in interfaces files 65
- login
  - root 3
  - sa 3
  - superuser 3
  - sybase 3

## M

- machine component in interfaces files 63

## Index

- master
    - database 5
    - device 5, 10
    - interfaces file 57, 65
    - service type 62
  - maxfiles kernel parameters 39
  - maxfiles\_lim kernel parameters 39
  - mbuf pools 49
  - messages
    - hardware errors 47
    - selecting language for 99
  - model database 5
  - Monitor Server
    - default configuration for 54
    - monserver command 22
    - starting from UNIX command line 20
    - starting with operating system 22
  - monitoring
    - I/O 48
    - network status 48, 49
    - operating system resources 48
    - virtual memory usage 48
  - monitoring systems
    - IBM RS/6000 48
    - NCR 49
  - monserver command 22
  - multiple directory services
    - LDAP 83
  - multiple installations
    - affecting interfaces files 59
    - creating one interfaces file for 57, 65
  - multiple networks
    - interfaces files and 57
    - interfaces files for 65
    - used as a backup in case of network failure 68
- ## N
- named pipes
    - default pipe 54
  - naming requirements for servers 62
  - NCR
    - monitoring systems 49
  - netstart -v command (IBM RS/6000) 49
  - netstat command
    - HP-UX 48
    - IBM RS/6000 49
    - Sun Solaris 49
  - network component in interfaces files 63
  - network protocols
    - Digital UNIX 63
    - HP-UX 63
    - IBM RS/6000 63
    - SPX 12
    - Sun Solaris 63
    - TCP/IP 12
    - UnixWare 63
  - network support
    - default configuration 53, 54
  - networks
    - backup connections and 69
    - DSQUERY and 67
    - failure of 69
    - interfaces files 55
    - monitoring status 48, 49
    - multiple 57
  - no -a command (IBM RS/6000) 49
- ## O
- online syntax help 127
  - operating system
    - administrator 3
    - resources 48
- ## P
- parent process identification (PPID) 29
  - parentheses ()
    - in SQL statements xiv
  - partition map
    - avoiding damage to 11
  - password encryption
    - for libtcl\*.cfg 84
    - pwdcrypt 84
  - PATH environment variable 4
  - paths, error log 112
  - permissions 38
    - restoring of 38



PID. See process identification

platforms, supported vii

platform-specific locale names 101

pluggable component interface (PCI) 7

port component in interfaces files 63

port numbers and interfaces files 66

PPID. See parent process identification

privileges 11

procedure specifications 16

procedures, Sybase extended stored

process identification (PID) 29

protocol

- component in interfaces files 63
- SPX 63
- TCP/IP 63

ps command

- HP-UX 48
- IBM RS/6000 49
- Sun Solaris 49

pubs2 sample database 7

pubs3 sample database 7

pwdcrypt

- location of 84
- password encryption 84

**Q**

query

- port backup configuration 68
- service type 58, 62
- specifications 15

**R**

raw block devices

- See character devices

raw partitions

- availability of 11
- minimum size for database devices 11

referential integrity constraint 16

retry\_attempts component in interfaces files 62

roman8 character set 89

run control directory 24

runserver file 21

**S**

sar command

- HP-UX 48

Scandinavian dictionary sort orders 98

scripts

- C shell 49
- maintenance 49
- sample maintenance 49
- start-up 23, 24

security. See auditing

servername component in interfaces files 62

servers

- naming requirements 62

service types

- debug 62
- listener 58
- master 62
- query 58, 62

service\_type component in interfaces file 62

setenv command 33

setperm\_all command 38

shared memory files 29

Shift-JIS character set 95

shutdown command 27, 28

size

- sybssystemprocs database, minimum required for
  - upgrade 14

slloc utility 97

SMIT

- See System Management Interface Tool

sort orders 96

- binary 97
- changing 90, 103
- character sets and 96
- databases and 96
- default for Adaptive Server 89
- definition files 96
- dictionary 97
- letter case in 97
- spaces in interfaces files 61

Spanish dictionary sort orders 98

SPX network protocol 12, 63

square brackets [ ]

- in SQL statements xiv

srt files 96

srvbuild utility 13

## Index

- starting servers
  - from UNIX command line 20
  - with operating system 22
- startserver utility 21
- start-up script 23
- stty settings 38
- Sun Solaris
  - iostat command 49
  - netstat command 49
  - network protocol 63
  - ps command 49
  - time command 49
  - timeout period 46
  - vmstat command 49
- sundiag system diagnostic tool 48
- supported platforms vii
- SYBASE environment variable 4
- \$SYBASE environment variable as default server name 65
- Sybase globalization support 87, 100, 103
- Sybase installation directory xvi
- SYBASE\_ASE environment variable 4
- SYBASE\_FTS environment variable 4
- SYBASE\_OCS environment variable 4
- SYBASE\_SYSAM environment variable 4
- sybsecurity
  - database 7, 120
  - device 7, 10
- sybsyntax database 127
- sybssystemdb
  - device for 10
  - purpose of 5
- sybssystemprocs database 6
- symbols
  - in SQL statements xiv
- syntax conventions, Transact-SQL xiv
- sysprocsdev device
  - minimum size for 10
  - purpose of 5, 6
- system audit tables 120
- system databases
  - where stored 10
- System Management Interface Tool (SMIT) 44
- system messages, translated 88
- system procedures, storage location of 6

## T

- tab characters in interfaces files 61
- table specifications 15
- TCP/IP 45, 63
  - KEEPALIVE option 45
- TCP/IP network protocol 12
- tempdb database 5
- Thai character sets 93
- time command
  - HP-UX 48
  - IBM RS/6000 49
  - Sun Solaris 49
- TLI protocol 62
- translated messages
  - error (.loc files) 101
  - system 88
- Turkish character sets 94

## U

- Unicode
  - character conversion 91
- UNIX
  - hardware error messages 47
  - network protocol 63
- UnixWare
  - network protocol 63
- us\_english language 89
- user connections 39
- user-defined message 113
- utilities
  - slloc 97

## V

- vmstat command
  - HP-UX 48
  - IBM RS/6000 49
  - Sun Solaris 49

## W

- Windows Sockets

default socket 53, 54

## **X**

XP Server

    default configuration 54

XP Server, starting 19

xp\_cmdshell command 19

